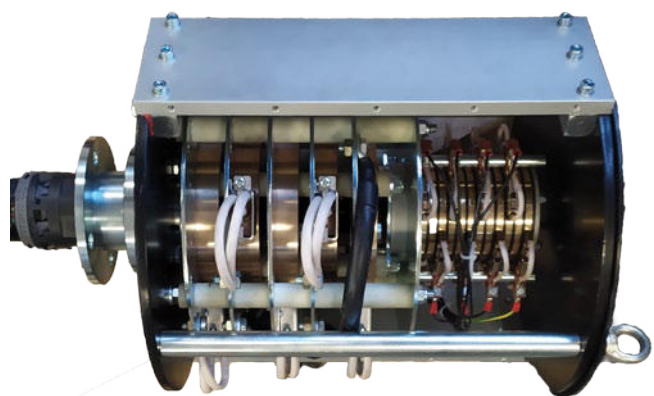


# PEGASUS

## Slip ring collector



Slip ring collectors designed to transfer AC / DC current from a stationary supply point to a rotating structure, transmitting power and control signals, both analogue and digital. Thanks to their high degree of customization they are used in a variety of industrial sectors, on cranes, rides, packaging plants.

### FEATURES

- Suitable for data and control applications.
- They support the major high speed data transmission and industrial bus system protocols.
- High quality materials and components guarantee reliability and durability.
- IP protection degree: Pegasus collectors are classified up to max. IP 65.

### OPTIONS

- High degree of customization thanks to fully modular construction system.
- Composition suitable for high, medium and low voltage available.
- On request, they can be equipped with limit switches, hydraulic couplings and electric hybrids.

### CERTIFICATIONS

- CE marking.

*Fill in the "request form" for accurate product configuration.*

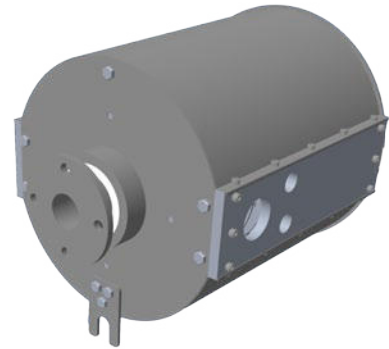
## PEGASUS 400A

Slip ring collector consisting of golden or silver power rings coupled with signal rings.

Suitable for the major high speed data transmission protocols: Ethernet CAT5, ProfiBus, ProfiNet, LAN, CAN Bus, CANOpen.

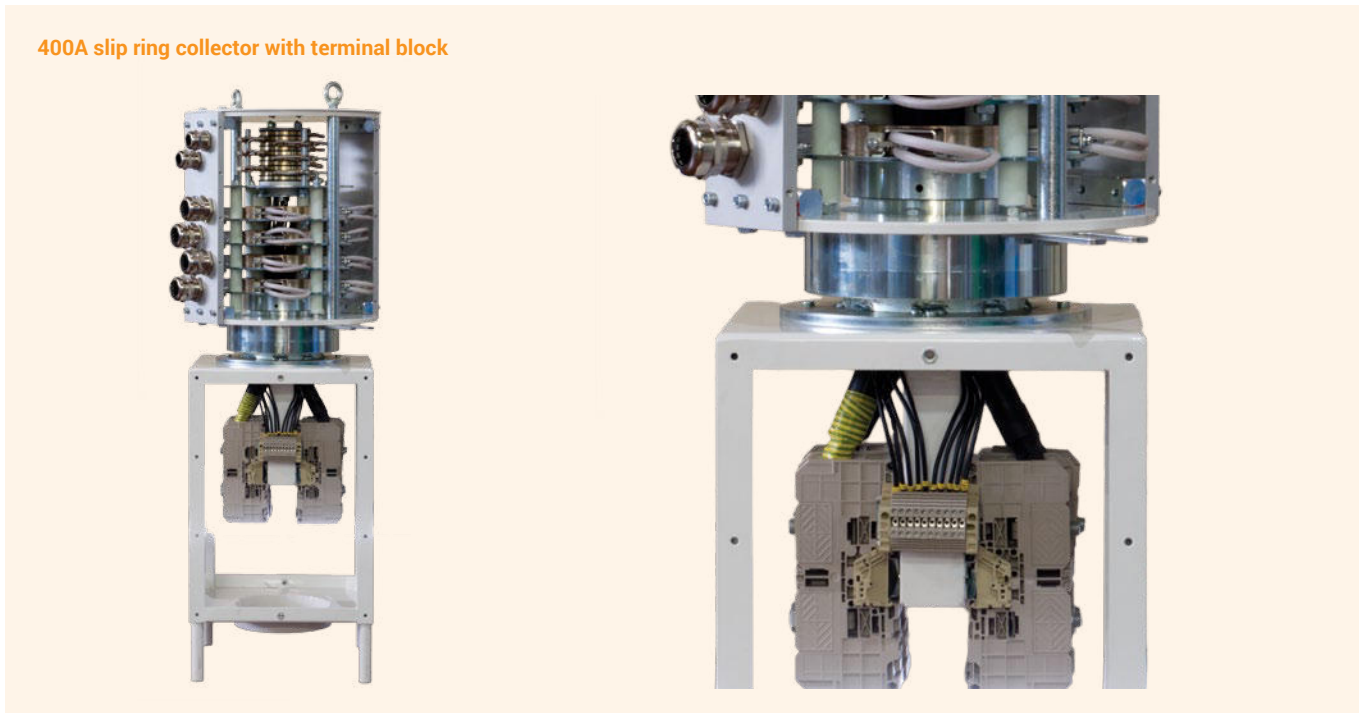
Suitable for optical fiber.

Sturdy and reliable, thanks to high quality materials and components which guarantee durability and low maintenance.



### EXAMPLE

400A slip ring collector with terminal block



### CERTIFICATIONS

Conformity to Community Directives	2014/35/UE Low Voltage Directive
	2006/42/CE Machinery Directive
Conformity to CE Standards	EN 60204-1 Safety of machinery - Electrical equipment of machines
	EN 60309-1 Plugs, socket-outlets and couplers for industrial purposes - General requirements
	EN 60529 Degrees of protection provided by enclosures
Markings and homologations	CE

### GENERAL TECHNICAL SPECIFICATIONS

Ambient temperature	Storage +10°C/+50°C
	Operational -25°C/+70°C
IP protection degree	IP 54
Insulation category	Class I
Operating positions	Any position
Cable entry	Depending on the request

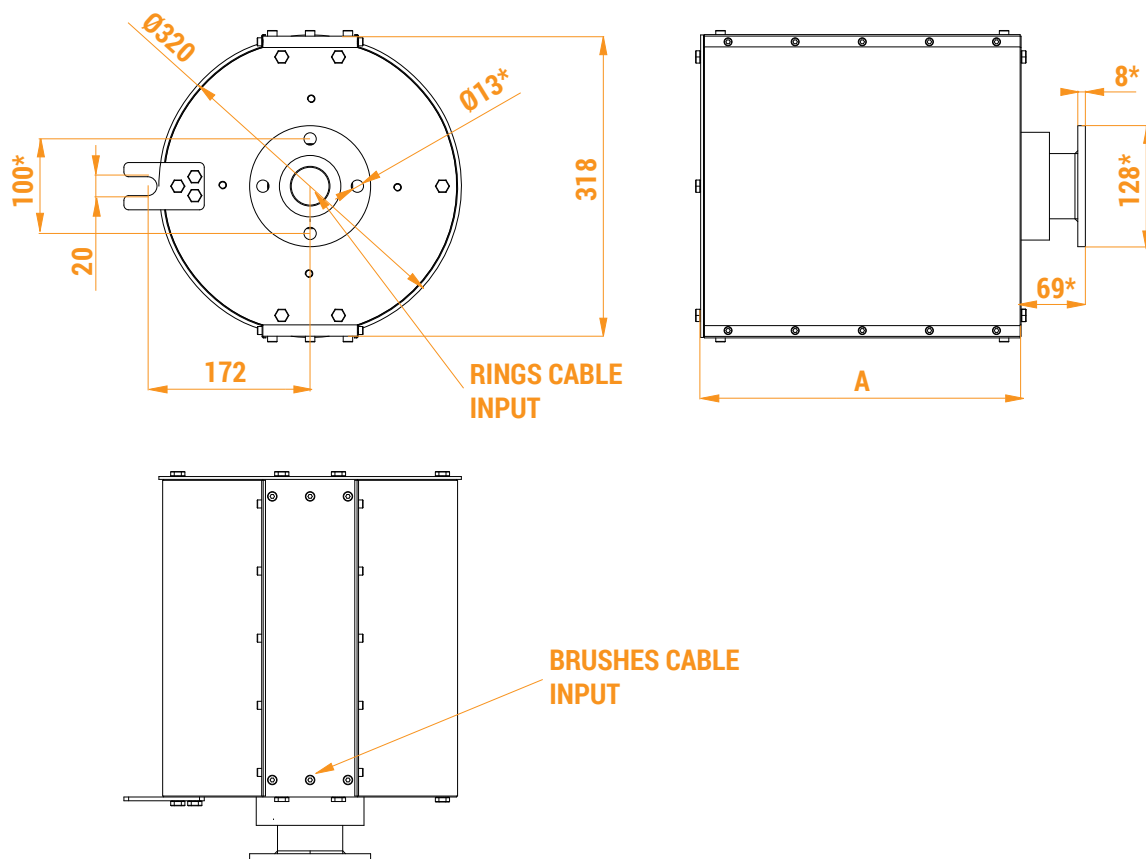
## ELECTRICAL SPECIFICATIONS

Rated operational current	Up to 400 A
Rated operational voltage	Up to 680 Vac
Maximum speed	30 rev./min.
Suitable for transferring DC current	Yes

## TRANSMISSION PROTOCOL SPECIFICATIONS

Data transmission protocol	Ethernet CAT 5
	Profibus
	ProfiNet
	LAN
	CAN-Bus
	CANOpen
Maximum speed	100 Mbit/s

## OVERALL DIMENSIONS (mm)



A = Dimension variable depending on the type and number of the collector's rings.

\* The flange can be modified on customer request.

The overall dimensions may be modified without notice.

## PEGASUS 650A

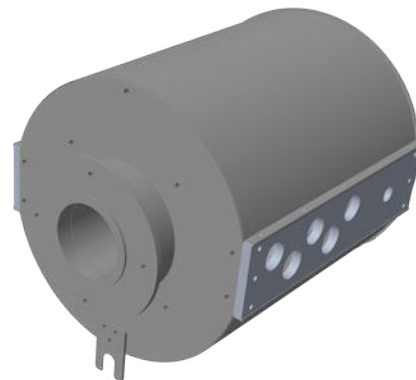
Slip ring collector consisting of golden or silver power rings coupled with signal rings.

Suitable for the major high speed data transmission protocols:

Ethernet CAT5, ProfiBus, ProfiNet, LAN, CAN Bus, CANOpen.

Suitable for optical fiber.

Sturdy and reliable, thanks to high quality materials and components which guarantee durability and low maintenance.



### CERTIFICATIONS

Conformity to Community Directives	2014/35/UE Low Voltage Directive
	2006/42/CE Machinery Directive
Conformity to CE Standards	EN 60204-1 Safety of machinery - Electrical equipment of machines
	EN 60309-1 Plugs, socket-outlets and couplers for industrial purposes - General requirements
	EN 60529 Degrees of protection provided by enclosures
Markings and homologations	CE

### GENERAL TECHNICAL SPECIFICATIONS

Ambient temperature	Storage +10°C/+50°C
	Operational -25°C/+70°C
IP protection degree	IP 54
Insulation category	Class I
Operating positions	Any position
Cable entry	Depending on the request

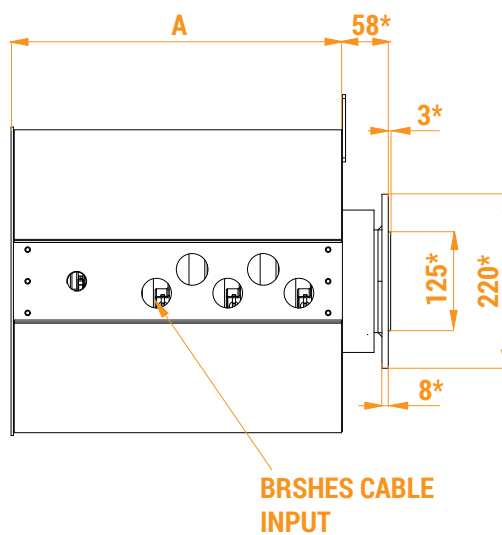
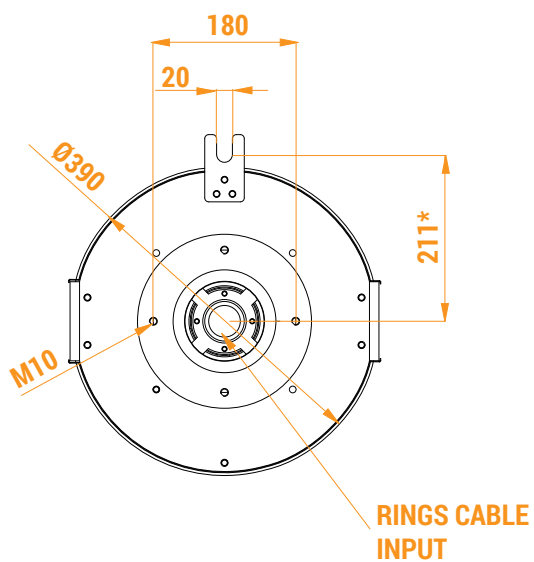
### ELECTRICAL SPECIFICATIONS

Rated operational current	Up to 650 A
Rated operational voltage	Up to 680 Vac
Maximum speed	30 rev./min.
Suitable for transferring DC current	Yes

### TRANSMISSION PROTOCOL SPECIFICATIONS

Data transmission protocol	Ethernet CAT 5
	ProfiBus
	ProfiNet
	LAN
	CAN-Bus
	CANOpen
Maximum speed	100 Mbit/s

## OVERALL DIMENSIONS (mm)



A = Dimension variable depending on the type and number of the collector's rings.

\* The flange can be modified on customer request.

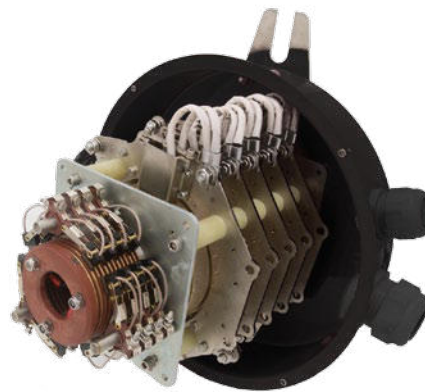
The overall dimensions may be modified without notice.

## PEGASUS 500A

Slip ring collector consisting of golden or silver power rings coupled with signal rings.

Suitable for the major high speed data transmission protocols: Ethernet CAT5, ProfiBus, ProfiNet, LAN, CAN Bus, CANOpen.

Sturdy and reliable, featuring protective enclosure made of stainless steel AISI 304 or 316L, aluminum, galvanized or epoxy powder varnished steel resistant to marine and aggressive environments.



### CERTIFICATIONS

Conformity to Community Directives	2014/35/UE Low Voltage Directive
	2006/42/CE Machinery Directive
Conformity to CE Standards	EN 60204-1 Safety of machinery - Electrical equipment of machines
	EN 60309-1 Plugs, socket-outlets and couplers for industrial purposes - General requirements
	EN 60529 Degrees of protection provided by enclosures
Markings and homologations	CE

### GENERAL TECHNICAL SPECIFICATIONS

Ambient temperature	Storage -20°C/+60°C
	Operational -20°C/+60°C
IP protection degree	IP 65
Insulation category	Class I
Operating positions	Any position

### ELECTRICAL SPECIFICATIONS

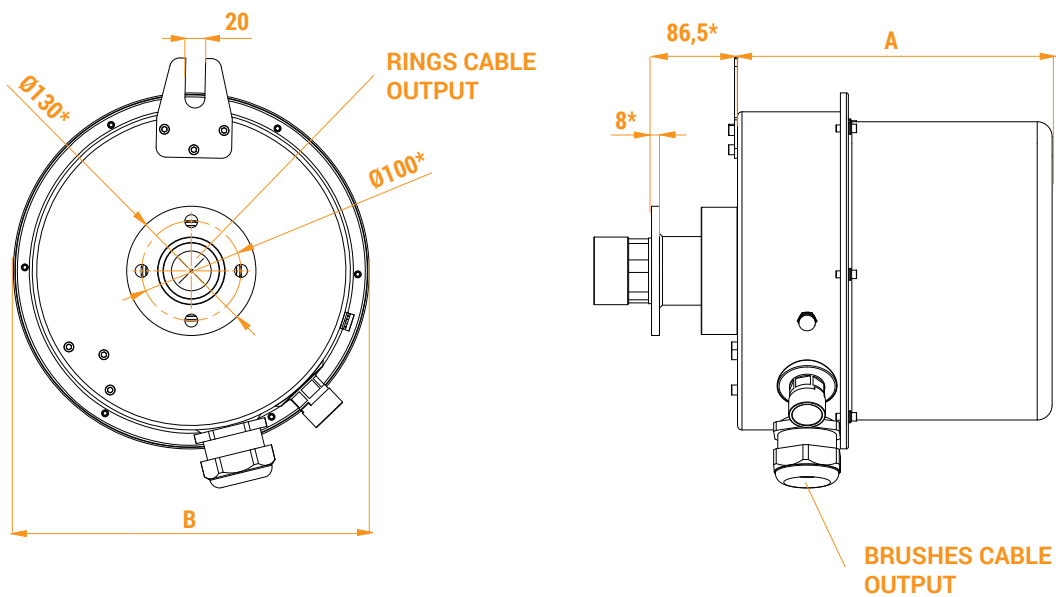
Rated operational current	Up to 500 A
Rated operational voltage	Up to 680 Vac
Maximum speed	30 rev./min.
Suitable for transferring DC current	Yes

### TRANSMISSION PROTOCOL SPECIFICATIONS

Data transmission protocol	Ethernet CAT 5
	ProfiBus
	ProfiNet
	LAN
	CAN-Bus
	CANOpen
Maximum speed	100 Mbit/s

## OVERALL DIMENSIONS (mm)

300A

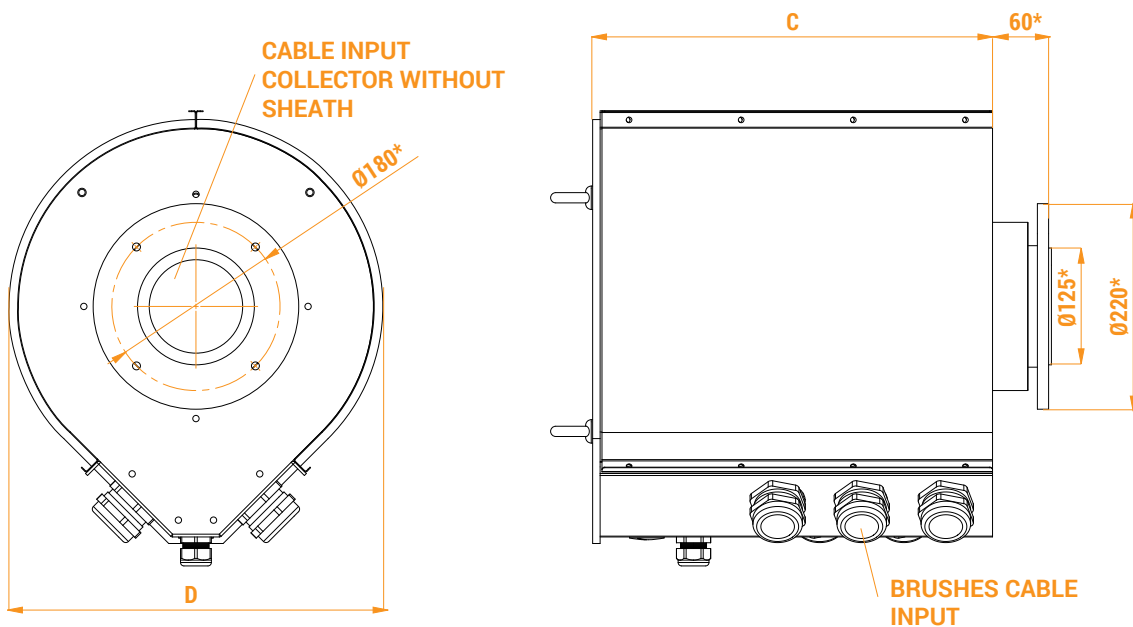


A, B = Dimension variable depending on the type and number of the collector's rings.

\* The flange can be modified on customer request.

The overall dimensions may be modified without notice.

500A



C, D = Dimension variable depending on the type and number of the collector's rings.

\* The flange can be modified on customer request.

The overall dimensions may be modified without notice.

