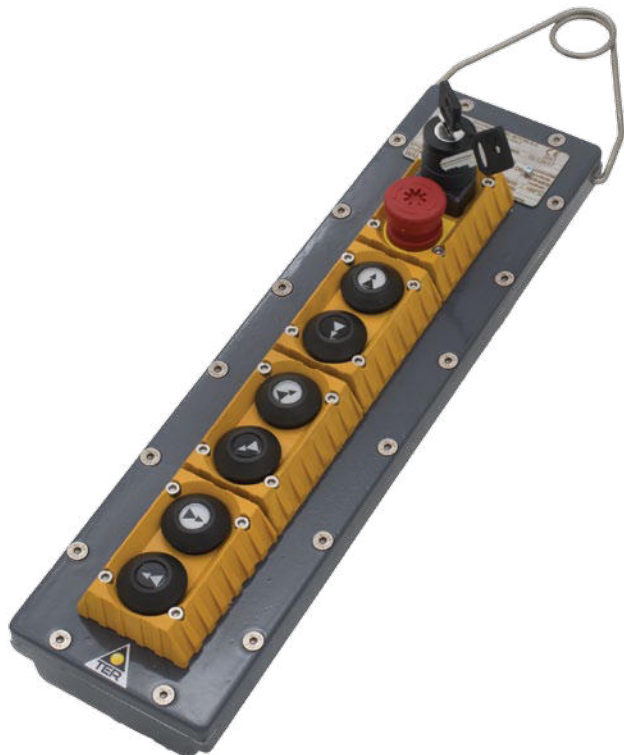


# MIKE-X

## HAZARDOUS AREAS

### Pendant control station



Explosion proof pendant control station for auxiliary control. Rugged, sturdy and easy to handle, Mike-X is designed for heavy industry in potentially explosive areas.

### FEATURES

- Pendant control station for use in industrial areas and hazardous locations for ATEX and IECEx zones 1, 2, 21, 22.
- Reduced installation and wiring time and costs: the optimized internal space enables easy and quick wiring.
- IP protection degree: Mike-X is classified IP65.
- Extreme temperature resistance: -20°C to +60°C and -50° C to +60°C only for EAC certificated versions.
- It features solid but light weight body made of powder epoxy painted aluminum or stainless steel AISI 316 (optional), resistant to temperature changes.
- All materials and components used are shock and wear resistant and guarantee protection of the unit against water, dust and oils.

### OPTIONS

- Available in configurations from 4 to 16 actuators.
- 1 or 2 speed switches with NO or NC contacts.
- Mechanical interlock to prevent simultaneous operation of opposite functions.
- Connecting bridges to reduce wiring time.
- It can be equipped with thermal protectors and resistances as anti-condensation heaters (max. power 24W).


### CERTIFICATIONS

- CE marking and EAC\* certification.
- Conformity to ATEX Standards EN 60079-0:2012, EN 60079-1:2014, EN 60079-31:2014.
- Conformity to IECEx Standards IEC 60079-0:2012, IEC 60079-1:2014, IEC 60079-31:2013.

*Fill in the "request form" to configure properly the product.*

\* Not available on all versions.




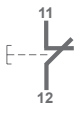
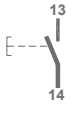
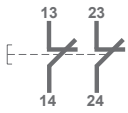
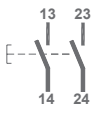
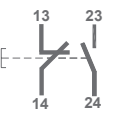
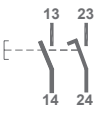
## CERTIFICATIONS

Conformity to Atex Standards	EN 60079-0:2012 Explosive atmospheres – Equipment – General requirements
	EN 60079-1:2014 Explosive atmospheres – Equipment protection by flameproof enclosures “d”
	EN 60079-31:2014 Explosive atmospheres – Equipment dust ignition protection by enclosures “t”
Conformity to IECEx Standards	IEC 60079-0:2012 Explosive atmospheres – Equipment – General requirements
	IEC 60079-1:2014 Explosive atmospheres – Equipment protection by flameproof enclosures “d”
	IEC 60079-31:2013 Explosive atmospheres – Equipment dust ignition protection by enclosures “t”
Atex Certification	ITS16ATEX101535X
IECEx Certification	ITS 16.0070X
Atex Protection Type	II 2 G Ex db IIC T6 Gb
	II 2 D Ex tb IIIC T85°C Db
	Tamb: -20°C to +60°C
IECEx Protection Type	Ex db IIC T6 Gb
	Ex tb IIIC T85°C Db
	Tamb: -20°C to +60°C
Markings and homologations	CE  IEC IECEx EAL**

## GENERAL TECHNICAL SPECIFICATIONS

Operational ambient temperature	-20°C/+60°C
	-50°C/+60°C (for EAC certificated versions)
IP protection degree	IP 65
Cable entry*	M25 x 1.5
	M32 x 1.5

## TECHNICAL SPECIFICATIONS OF THE SWITCHES

Rated operational current	Max 250 Vdc / 1.1 A					
	Max 240 Vac / 3 A					
Rated frequency	50/60 Hz					
Wires	Min 0.75 mm <sup>2</sup> - Max 2 mm <sup>2</sup> (ATEX and IEC Ex)					
Anti-moisture heater (optional)	Maximum power 24W					
Switch type	1 speed	1 speed	1 speed	1 speed	1 speed	2 speeds
Contacts	1NC (positive opening operation NC contacts  )	1NO	2NC (positive opening operation NC contacts  )	2NO	1NO+1NC (positive opening operation NC contacts  )	2NO
Scheme						
Markings and homologations	CE					

## OPTIONALS

Anti-condensation heater
Stainless steel AISI 316 version

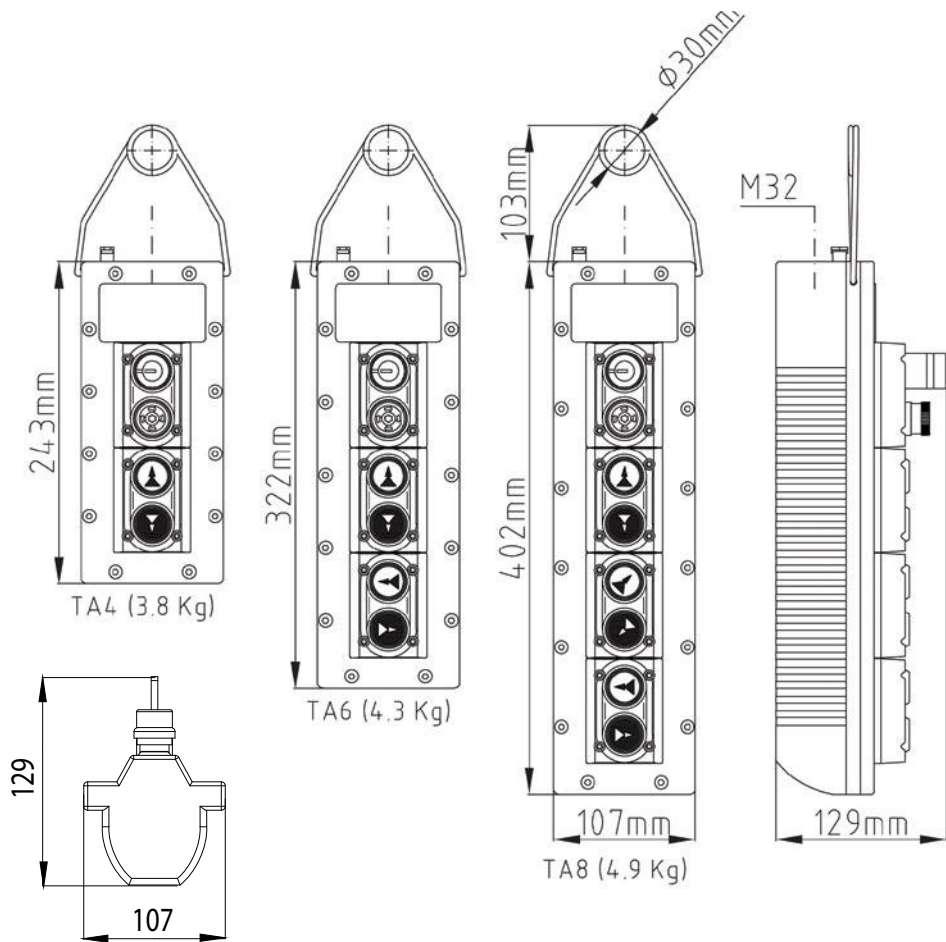
\* Threading must guarantee minimum 5 complete threads.

All the devices for cable entry (conduits, cable clamps, adapters) must be certified with minimum certification level as per valid certification of the pendant station.

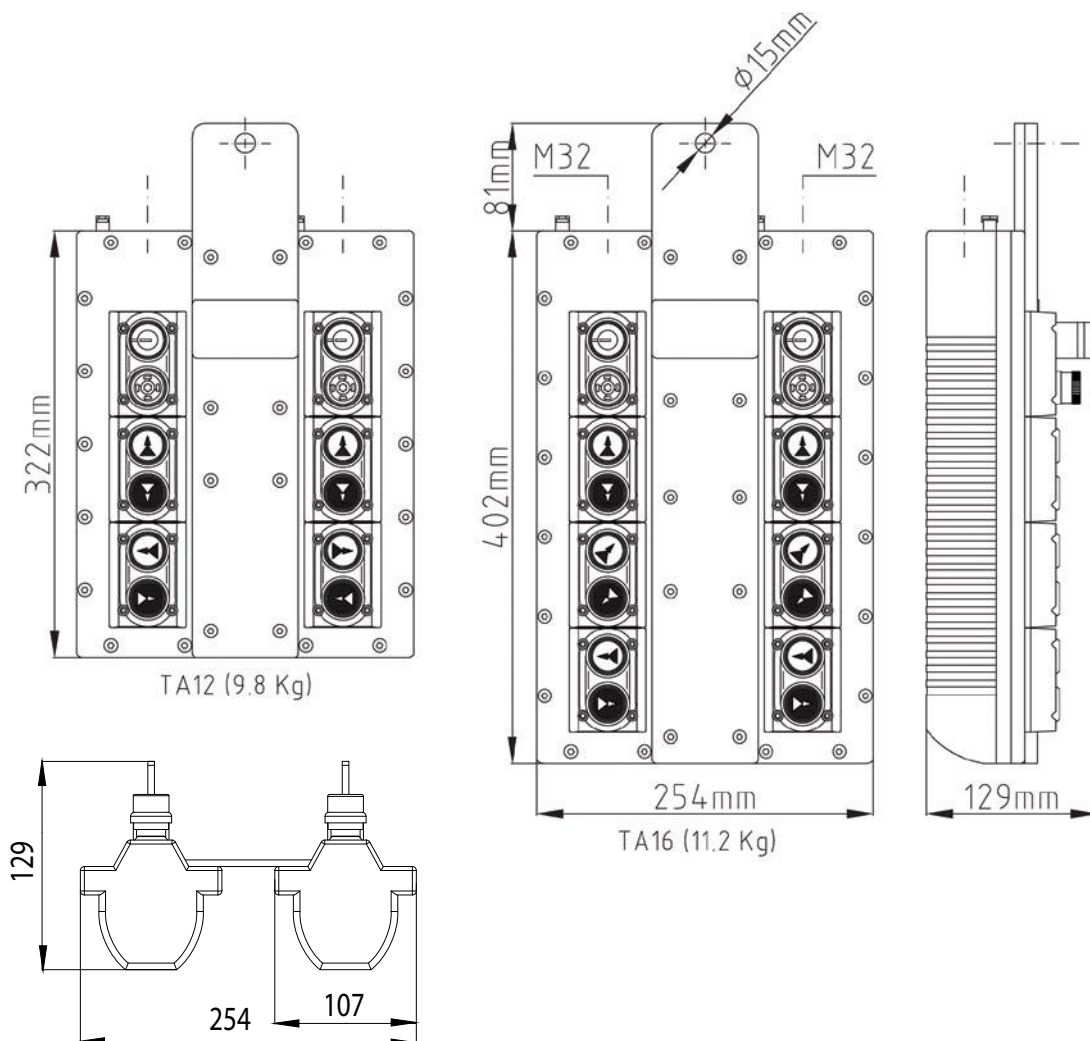
\*\* Not available on all versions.

### OVERALL DIMENSIONS (mm)

#### Simple



#### Double



# MIKE-X - REQUEST FORM FOR CONTROL STATION

## Instructions

Fill in the chart according to the following instructions:

- 1 Protection:** tick the box to accept the type of protection provided.
  - 2 EAC certified:** tick the box if you require EAC certified units. ATTENTION: for the EAC certificated version the anti-condensation heater is mandatory.
  - 3 Control station:** tick the box corresponding to the type of control station required (simple or double).
  - 4 Control elements:** enter in the broken-line box the number corresponding to the control element required (from **1** to **25**) according to the legend.  
If you choose **buttons with arrows**, mark the direction of the arrow into the corresponding box. Eg.
- ATTENTION: opposite functions (eg. up /down) must be vertically coupled in columns and they are provided with mechanical interlock.
- 5 Switches:** enter the number corresponding to the switch required (from **30** to **35**) according to the legend.
  - 6 Cable entry:** tick the box corresponding to type of cable entry required.
  - 7 Optionals:** tick the box corresponding to the eventual optionals required.

### Protection **1**

Tick the box to accept the type of protection provided.

ATEX II 2 G Ex db IIC T6 Gb  
II 2 D Ex tb IIIC T85°C Db  
IECEX Ex db IIC T6 Gb  
Ex tb IIIC T85°C Db

### EAC certified **2**

(version suitable for temperature from -50° C to +60°C)

### Control station **3**

- 4 - 8 actuators: simple control station  
 12 - 16 actuators: double control station

### Control elements **4**

- 1** Emergency stop mushroom pushbutton  
**2** Selector switch - 2 maintained positions 0/1  
**3** Key selector switch - 3 positions 1/0/2 (1/0 maintained - 0/2 spring return)

<b>GREEN</b>	<b>4</b>	<b>8</b>	<b>12</b>	<b>16</b>	<b>20</b>	<b>24</b>
<b>RED</b>	<b>5</b>	<b>9</b>	<b>13</b>	<b>17</b>	<b>21</b>	<b>25</b>
<b>YELLOW</b>	<b>6</b>	<b>10</b>	<b>14</b>	<b>18</b>	<b>22</b>	<b>26</b>
<b>GREEN</b>	<b>7</b>	<b>11</b>	<b>15</b>	<b>19</b>	<b>23</b>	<b>27</b>

### Switches **5**

- |                         |                             |
|-------------------------|-----------------------------|
| <b>30</b> 1NC - 1 speed | <b>33</b> 2NO - 1 speed     |
| <b>31</b> 1NO - 1 speed | <b>34</b> 1NO+1NC - 1 speed |
| <b>32</b> 2NC - 1 speed | <b>35</b> 2NO - 2 speeds    |

### Cable entry **6**

- M25 x 1,5       M32 x 1,5

### Optionals **7**

- Anti-condensation heater  
 Stainless steel AISI 316 version

Switches	<input type="checkbox"/>	<input type="checkbox"/>	Opposite functions (vertically coupled)	<input type="checkbox"/>	Switches	<input type="checkbox"/>
	<input type="checkbox"/>	<input type="checkbox"/>	Opposite functions (vertically coupled)	<input type="checkbox"/>		<input type="checkbox"/>
	<input type="checkbox"/>	<input type="checkbox"/>	Opposite functions (vertically coupled)	<input type="checkbox"/>		<input type="checkbox"/>
	<input type="checkbox"/>	<input type="checkbox"/>	Opposite functions (vertically coupled)	<input type="checkbox"/>		<input type="checkbox"/>
	<input type="checkbox"/>	<input type="checkbox"/>	Opposite functions (vertically coupled)	<input type="checkbox"/>		<input type="checkbox"/>
	<input type="checkbox"/>	<input type="checkbox"/>	Opposite functions (vertically coupled)	<input type="checkbox"/>		<input type="checkbox"/>
	<input type="checkbox"/>	<input type="checkbox"/>	Opposite functions (vertically coupled)	<input type="checkbox"/>		<input type="checkbox"/>
	<input type="checkbox"/>	<input type="checkbox"/>	Opposite functions (vertically coupled)	<input type="checkbox"/>		<input type="checkbox"/>
	<input type="checkbox"/>	<input type="checkbox"/>	Opposite functions (vertically coupled)	<input type="checkbox"/>		<input type="checkbox"/>

4 - 8 actuators simple control station singola

12 - 16 actuators double control station