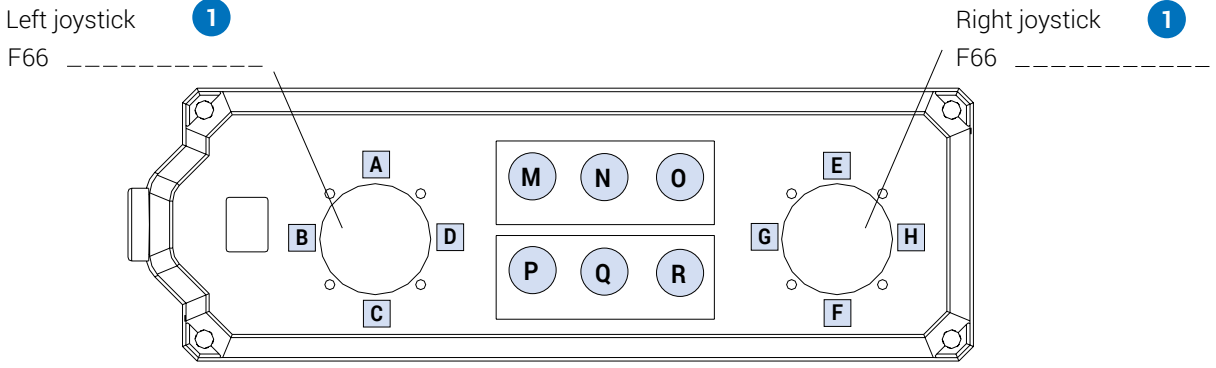


# HERCULES-PK - REQUEST FORM FOR JOYSTICK STATION



**Instructions**

- 1 Joysticks:** write the code number of the left and right Juliet joysticks required.
- 2 Control elements and switches:** enter the numbers corresponding to the control elements (1 to 13) and to the switches (max. 3) (20 to 24) required in each position (M to R), according to the legends.
- 3 Position of cable sleeve:** tick the appropriate box to show the position required for the cable sleeve.
- 4 Joystick label:** per ogni posizione di manovra dei joysticks (A to H) write the text required on the label.
- 5 Control element label:** for each control element (M to R) write the symbol, colour and text required on the label. Refer to the legend for standard symbols and colours.

**Control elements and switches**

| Control element | Switches |
|-----------------|----------|
| M               | _____    |
| N               | _____    |
| O               | _____    |
| P               | _____    |
| Q               | _____    |
| R               | _____    |

**Position of cable sleeve**

Left       Right

**Joystick label**

Text

A \_\_\_\_\_

B \_\_\_\_\_

C \_\_\_\_\_

D \_\_\_\_\_

E \_\_\_\_\_

F \_\_\_\_\_

G \_\_\_\_\_

H \_\_\_\_\_

**Control element label**

| Symbol | Label colour | Text  |
|--------|--------------|-------|
| M      | _____        | _____ |
| N      | _____        | _____ |
| O      | _____        | _____ |
| P      | _____        | _____ |
| Q      | _____        | _____ |
| R      | _____        | _____ |

**Legend - Control elements**

- 1 PRSL1009PI Mushroom pushbutton
- 2 PRTS000001 Single pushbutton
- 3 PRTD000001 Double pushbutton
- 4 PRSL1023PI Blanking plug
- 5 PRSL1012PI Red pilot light
- 6 PRSL1013PI Yellow pilot light
- 7 PRSL1014PI Green pilot light
- 8 PRSL1015PI Selector switch 0/1 spring return
- 9 PRSL1016PI Selector switch 0/1 maintained pos.
- 10 PRSL1026PI Selector switch 1/0/2 spring return
- 10 PRSL1027PI Selector switch 1/0/2 maintained pos.
- 12 PRSL1017PI Key selector switch 0/1 maintained pos.
- 13 PRSL1024PI Key selector switch 0/1 spring return

**Legend - Switches**

| Single switches                          | Double switches        |
|--|------------------------|
| 20 PRSL1000PI 1NO                        | 23 PRSL1002PI 1 speed  |
| 21 PRSL1001PI 1NC                        | 24 PRSL1003PI 2 speeds |
| 22 PRSL1004PI Lamp holder (without bulb) |                        |

**Legend - Standard symbols and colours for control element label**

|          |           |           |          |           |
|----------|-----------|-----------|----------|-----------|
| 30 GREEN | 31 GREEN  | 32 YELLOW | 33 RED   | 34 YELLOW |
| 40 GREEN | 41 YELLOW | 42 RED    | 43 BLACK | 44 WHITE  |