

10A/30A - REQUEST FORM FOR NON STANDARD SLIP RING COLLECTOR

Rings

No. of 30A rings _____

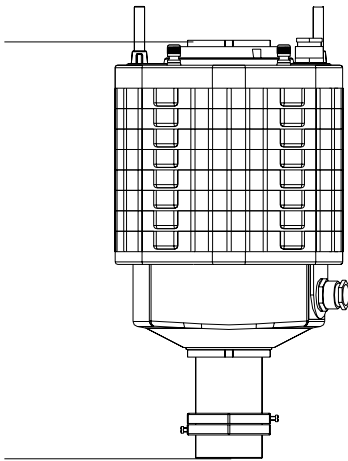
No. of 10A rings _____

Brushes

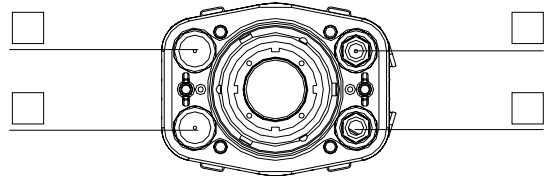
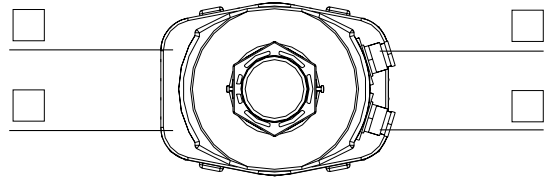
Graphite

Phosphor bronze

Tube length



Cable clamps



1 M20

2 M25

Instructions

- Write the number of 30A and 10A rings and the type of brushes required.
- Write the input and output length of the tube required, when different from the length showed in the overall dimensions.
- Write the type of cable clamps required on the upper cover and on the lower plate.

Remarks
