

10A/30A

Slip ring collector



Slip ring collector consisting of rings coupled with brushes, designed to allow current to pass from a fixed to a rotating part and used to supply crane motors and cable winders.

FEATURES

- Suitable for transmitting current with 50/60 Hz frequency.
- The enclosure has small downward holes for air circulation and to prevent problems due to moisture.
- The lower support plate is provided with three holes to drain any moisture that may form inside the unit.
- The enclosure is made of shock-resistant thermoplastic material to prevent contact with live electrical parts.
- IP protection degree: collector 10A/30A is classified IP22.
- Extreme temperature resistance: -25°C to +70°C.

OPTIONS

- Up to 40 rings coupled with brushes.
- Available with 30A line rings only or with 30A line rings and 10A auxiliary rings.
- Fitted with phosphor bronze or graphite brushes.

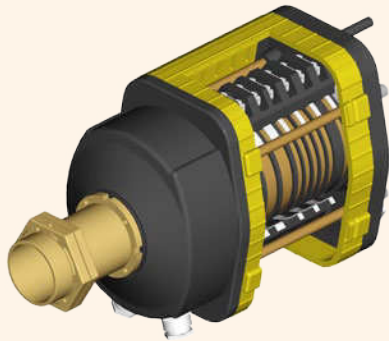
CERTIFICATIONS

- CE marking and EAC certification.

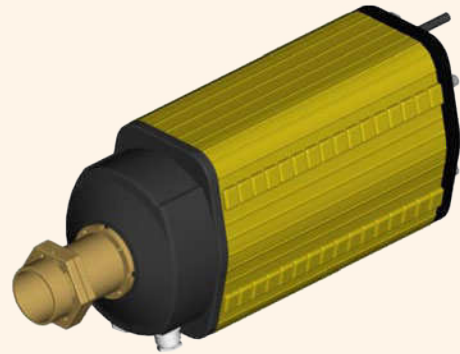
Fill in the request form for accurate product configuration.

POSSIBLE ASSEMBLIES

Standard (sectional view)



Standard 16 rings



CERTIFICATIONS

Conformity to Community Directives	2014/35/UE Low Voltage Directive
	2006/42/CE Machinery Directive
Conformity to CE Standards	EN 60204-1 Safety of machinery - Electrical equipment of machines
	EN 60309-1 Plugs, socket-outlets and couplers for industrial purposes - General requirements
	EN 60529 Degrees of protection provided by enclosures
Markings and homologations	CE EAC

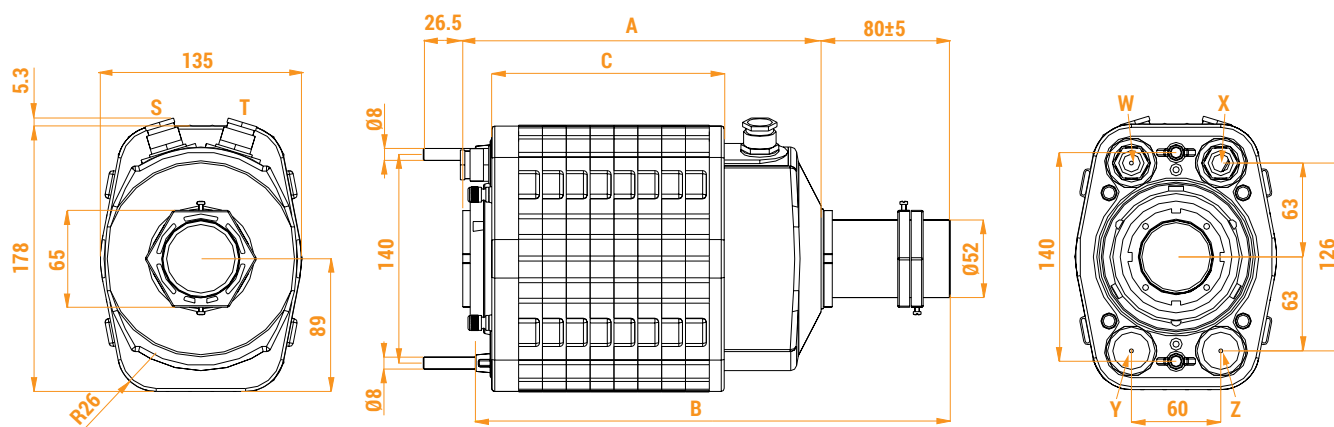
GENERAL TECHNICAL SPECIFICATIONS

Ambient temperature	Storage -40°C/+70°C
	Operational -25°C/+70°C
IP protection degree	IP 22
Insulation category	Class I
Operating positions	Any position
Cable entry	Cable clamp M20
	Cable clamp M25

ELECTRICAL SPECIFICATIONS

Rated operational current	10 A - 30 A
Rated operational voltage	400 Vac
Rated insulation voltage	660 Vac
Max. speed	3 rev./min
Connections	Clamp with Ø 4 mm hole
	Clamp with M4 screw accepting eyelet terminals

STANDARD SLIP RING COLECTORS AND OVERALL DIMENSIONS (mm)



10A and 30A rings

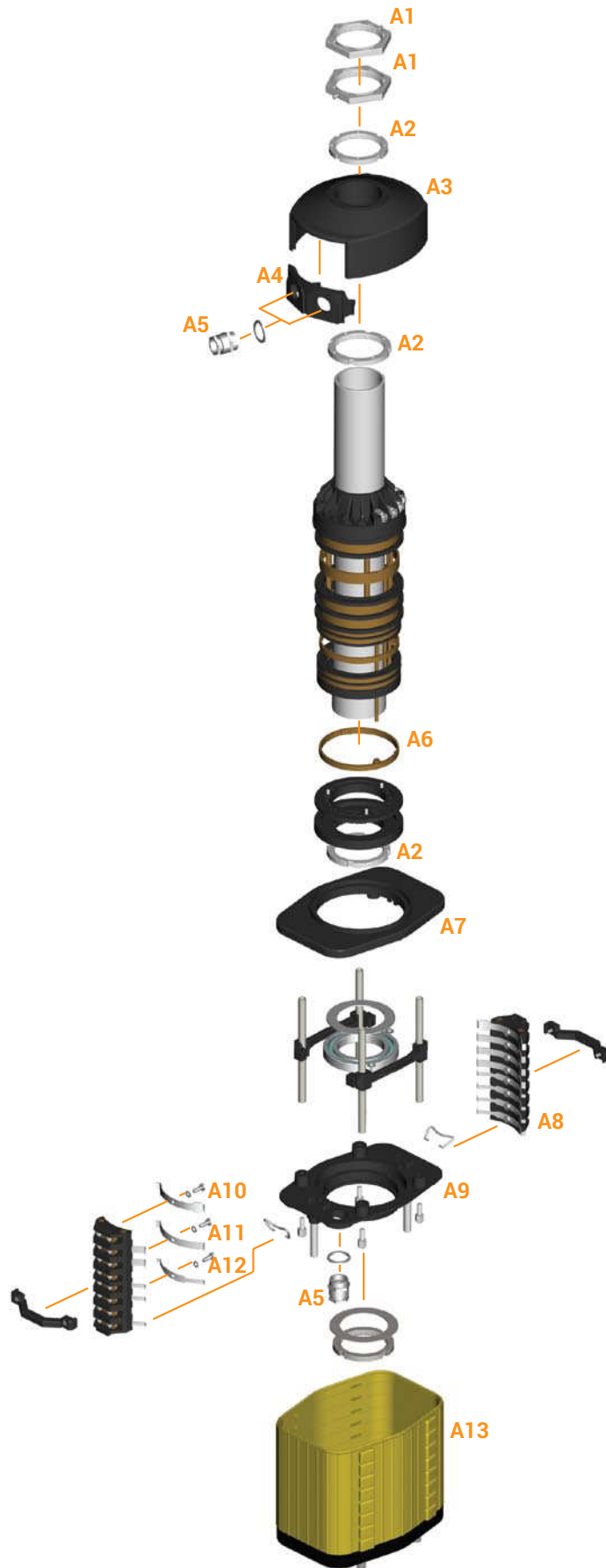
No. of rings 10A	No. rings 30A	Cable clamps type and position						Code	Dimensions (mm)		
		S	T	W	X	Y	Z		A	B	C
1	4	M20	-	M20	-	-	-	PF2305B001	195	265	108
2	4	M20	-	M20	-	-	-	PF2306B003	211	281	124
3	4	M20	M20	M20	-	-	M20	PF2307B002	211	281	124
4	4	M20	M20	M20	-	-	M20	PF2308B001	227	297	140
5	4	M20	M20	M20	-	-	M20	PF2309B001	227	297	140
6	4	M20	M20	M20	-	-	M20	PF2310B001	243	313	156
7	4	M20	M20	M20	-	-	M20	PF2311B001	243	313	156
8	4	M20	M20	M20	-	-	M20	PF2312B001	259	329	172
9	4	M20	M20	M20	-	-	M20	PF2313B002	259	329	172
10	4	M20	M20	M20	-	-	M20	PF2314B001	275	345	188
11	4	M20	M20	M20	-	-	M20	PF2315B002	275	345	188
12	4	M20	M20	M20	-	-	M20	PF2316B001	291	361	204
Max No. of rings: 40									483	553	396

30A rings

No. of rings 30A	Cable clamps type and position						Code	Dimensions (mm)			
	S	T	W	X	Y	Z		A	B	C	
3	M20	-	M20	-	-	-	PF2303B001	179	249	92	
4	M20	-	M20	-	-	-	PF2304B001	195	265	108	
5	M20	-	M20	-	-	-	PF2305B002	211	281	124	
6	M20	-	M20	-	-	-	PF2306B002	227	297	140	
7	M20	M20	M20	M20	-	-	PF2307B001	243	313	156	
8	M20	M20	M20	M20	-	-	PF2308B003	259	329	172	
9	M20	M20	M20	M20	-	-	PF2309B002	275	345	188	
10	M20	M20	M20	M20	-	-	PF2310B003	291	361	204	
11	M20	M20	M20	M20	-	-	PF2311B002	307	377	220	
12	M20	M20	M20	M20	-	-	PF2312B002	323	393	236	
13	M20	M20	M20	M20	-	-	PF2313B003	339	409	252	
14	M20	M20	M20	M20	-	-	PF2314B003	355	425	268	
15	M20	M20	M20	M20	-	-	PF2315B005	371	441	284	
16	M20	M20	M20	M20	-	-	PF2316B004	387	457	300	
Max No. of rings: 20									451	521	364

ASSEMBLY DRAWING






6



The descriptions of all the components can be found in the following charts: "Brushes and rings", "Cable clamps" and "Accessories".

COMPONENTS



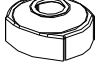



Brushes and rings

Ref.	Drawing	Description	Code
A6		Auxiliary ring 10A	PRSL4060PE
		Line ring 30A	PRSL4064PE
A8		Brush-holder with brushes	Codes on request
A10		Earth brush	PRSL4062PI
A11		Line brush	PRSL4058PI
A12		Auxiliary brush (phosphor bronze)	PRSL4061PI
		Auxiliary brush (graphite) (2 brushes used as line brush)	PRVV9075PE

Cable clamps

Ref.	Drawing	Description	Code
A4		Cable clamp support	PRSL9060PI
A5		Cable clamp M20	PRPS1075PE
		Cable clamp M25	PRPS1076PE

Accessories

Ref.	Drawing	Description	Code
A1		Nut	PRSL4010PE
A2		Ring - pitch 1.5	PRSL4001PE
A3		1 hole cover	PRSL5665PI
		2 hole cover	PRSL5670PI
A7		Upper plate	PRSL4056PE
A9		Lower plate	PRSL4055PE
A13		Protection	Codes on request

