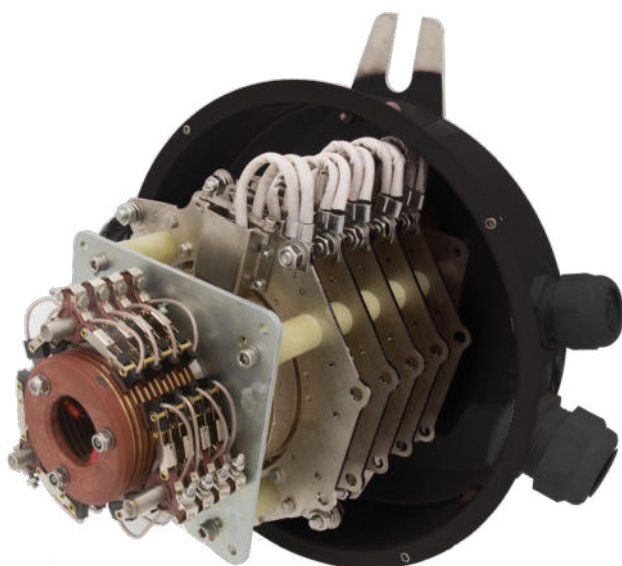


300A/500A

Slip ring collector



Slip ring collector consisting of power rings coupled with signal rings, designed to transfer electric current from a stationary supply point to a rotating structure, transmitting power and control signals, both analogue and digital.

FEATURES

- Suitable for transferring DC current for data and control applications.
- It supports the major high speed data transmission protocols: Ethernet CAT5, Profibus, Profinet, LAN, Can-BUS, Can-Open.
- Silver or golden signal rings.
- High quality materials and components guarantee reliability and durability.
- IP protection degree: collector 300A/500A is classified IP65.
- Extreme temperature resistance: -20°C to +60°C.

OPTIONS

- High degree of customization thanks to fully modular construction system.

CERTIFICATIONS

- CE marking.

Fill in the "request form" for accurate product configuration.

CERTIFICATIONS

Conformity to Community Directives	2014/35/UE Low Voltage Directive
	2006/42/CE Machinery Directive
Conformity to CE Standards	EN 60204-1 Safety of machinery - Electrical equipment of machines
	EN 60309-1 Plugs, socket-outlets and couplers for industrial purposes - General requirements
	EN 60529 Degrees of protection provided by enclosures
Markings and homologations	CE

GENERAL TECHNICAL SPECIFICATIONS

Ambient temperature	Storage -20°C/+60°C
	Operational -20°C/+60°C
IP protection degree	IP 65
Insulation category	Class I
Operating positions	Any position

ELECTRICAL SPECIFICATIONS

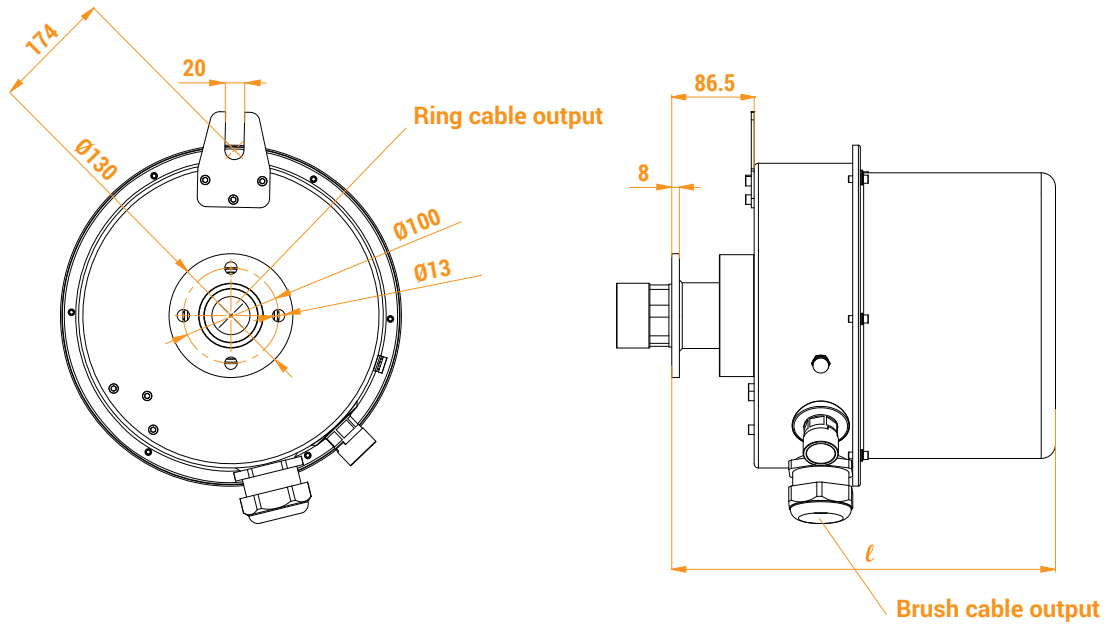
Rated operational current	Up to 500 A
Rated operational voltage	Up to 680 Vac
Maximum speed	30 rev./min.
Suitable for transferring DC current	Yes

TRANSMISSION PROTOCOL SPECIFICATIONS

Data transmission protocol	Ethernet CAT 5
	Profibus
	ProfiNet
	LAN
	CAN-Bus
	CANOpen
Maximum speed	100 Mbit/s

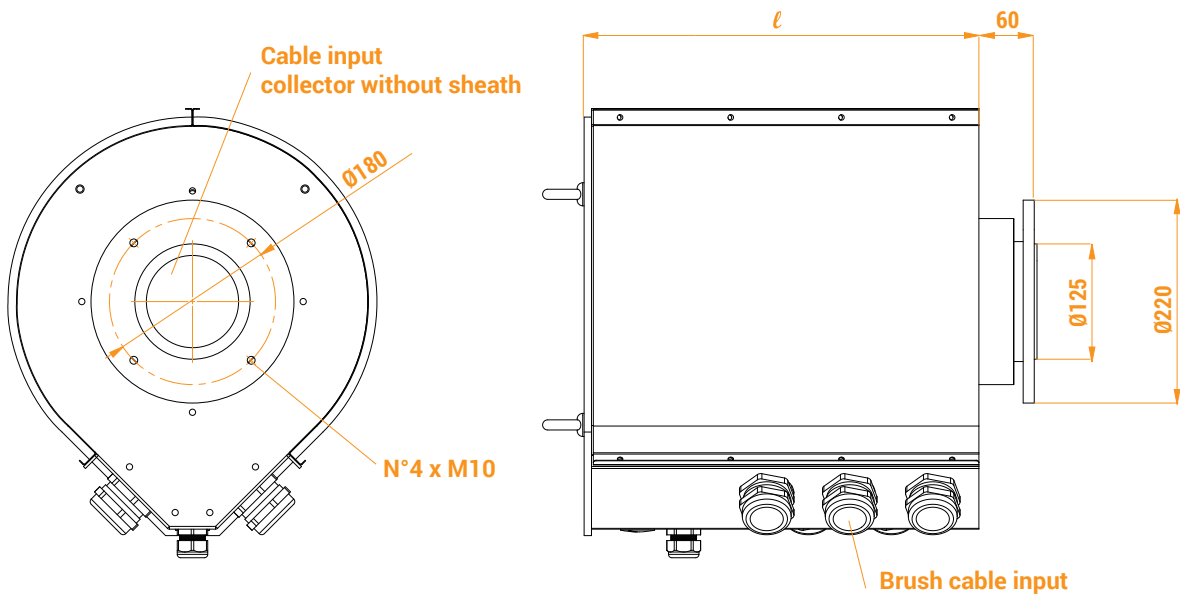
OVERALL DIMENSIONS (mm)

300A



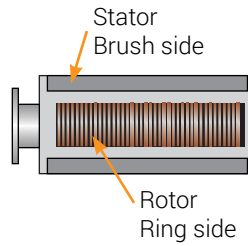
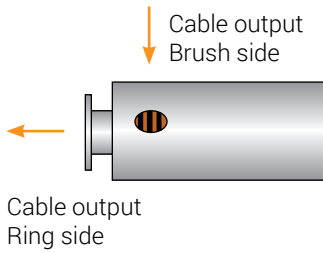
l = length varying depending on the number of rings

500A

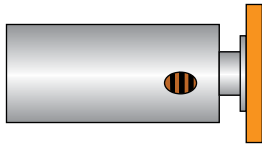


l = length varying depending on the number of rings

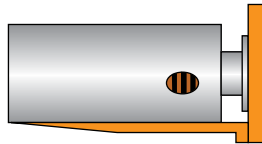
300A/500A - REQUEST FORM FOR SLIP RING COLLECTOR



Type of installation



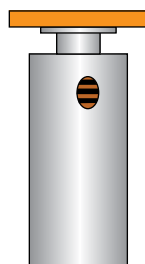
Horizontal - Free



Horizontal - With support



Vertical



Vertical - Suspended

Specifications required

Rotating part _____

Rotation speed _____

Continuous rotation Intermittent rotation

Works from a standstill

Operational voltage _____

Inner free diameter _____

Duty cycle _____

IP protection degree _____

Ambient temperature (°C) _____

Operational ambient temperature _____

Supplied with cable Yes No

Connections with terminal board Yes No

Ring cable length (m) _____

Brush cable length (m) _____

	No. of connections	Operating current (A)	Voltage supply (V)	Cable type	Cable section	Duty cycle
Ground						
Power						
Power						
Power						
Power						
Signal						
Signal						
Signal						
Signal						

Remarks
