

10A

Slip ring collector



Slip ring collector, consisting of rings coupled with brushes, designed for small jib cranes. Compact sized and equipped with 4 rings.

FEATURES

- Suitable for transmitting current with 50/60 Hz supply frequency.
- Extreme temperature resistance: -25°C to +70°C.

OPTIONS

- Version with driving slots available.
- Available with coupling flange.

CERTIFICATIONS

- CE marking and EAC certification.

CERTIFICATIONS

Conformity to Community Directives	2014/35/UE Low Voltage Directive
	2006/42/CE Machinery Directive
Conformity to CE Standards	EN 60204-1 Safety of machinery - Electrical equipment of machines
	EN 60309-1 Plugs, socket-outlets and couplers for industrial purposes - General requirements
	EN 60529 Degrees of protection provided by enclosures
Markings and homologations	CE ENEC

GENERAL TECHNICAL SPECIFICATIONS

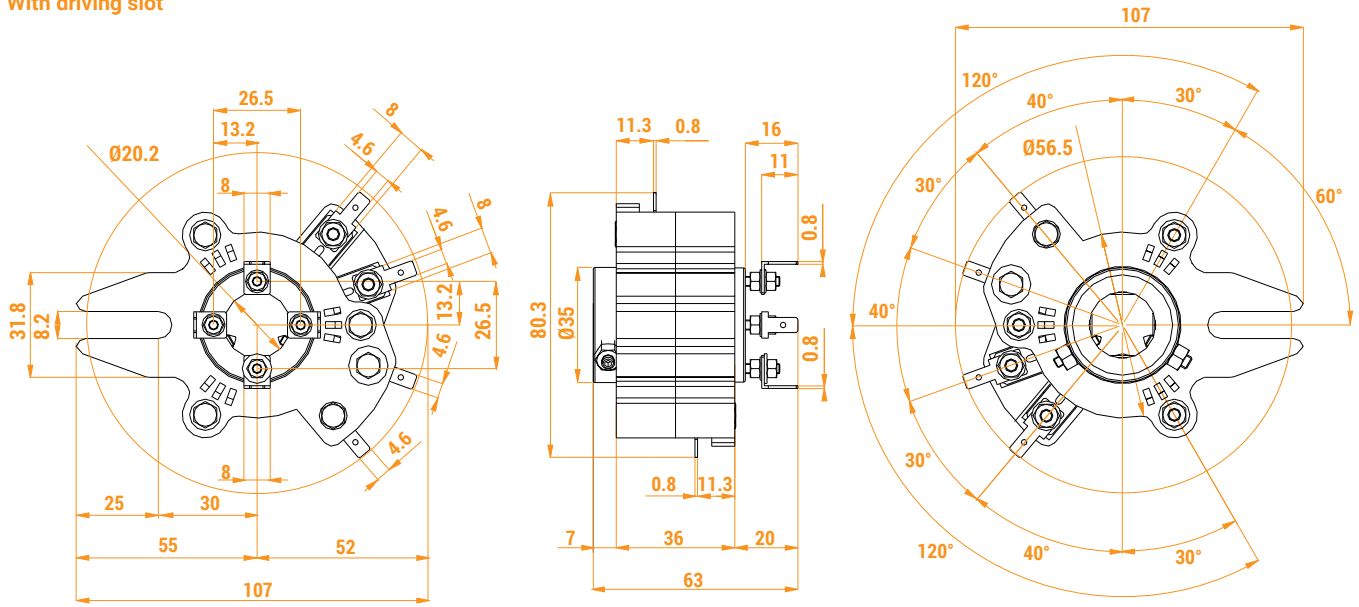
Ambient temperature	Storage -40°C/+70°C
	Operational -25°C/+70°C
IP protection degree	IP 00
Insulation category	Class I
Operating positions	Any position

ELECTRICAL SPECIFICATIONS

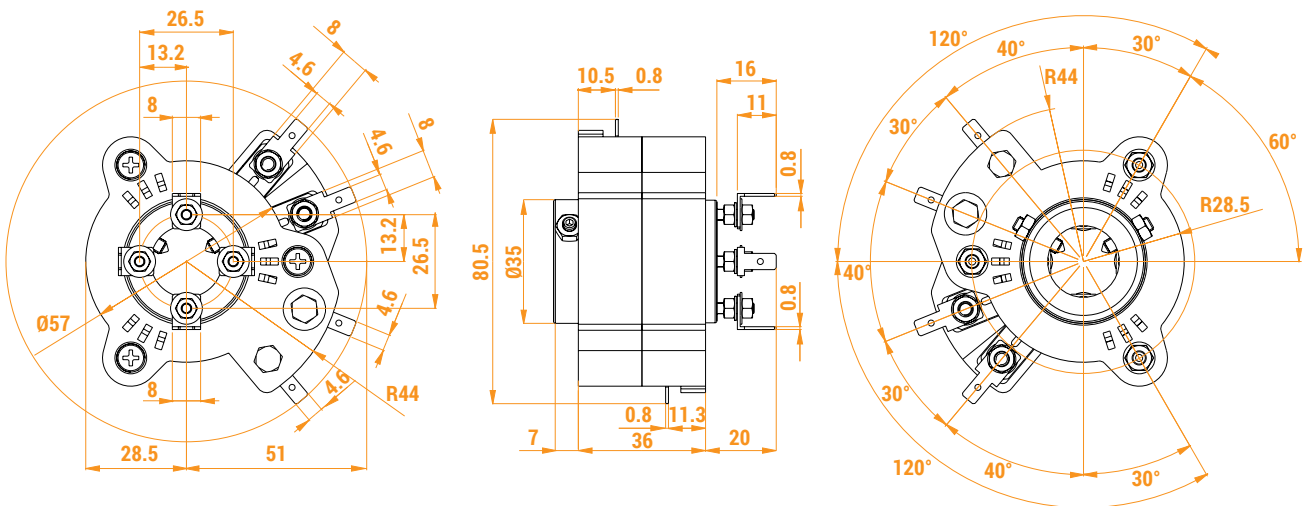
Rated operational current	10 A
Rated operational voltage	400 Vac
Rated insulation voltage	660 Vac
Max. speed	3 rev./min
Connections	Faston 6.3 mm

OVERALL DIMENSIONS (mm)

With driving slot



Without driving slot



SLIP RING COLLECTORS

Description	Code
Slip ring collector with driving slot	PF21270100
Slip ring collector without driving slot	PF21270200
Slip ring collector with Ø 40x30 mm flange	PF21270101

