

# DIN

## Position limit switch



Position limit switch designed for controlling the movement of overhead travelling cranes, hoists and complex machine tools.

Din is used in building and industrial hoisting applications, in automation and in the entertainment industry.

### FEATURES

- Enclosure size 104x40x43 mm, with 4 fixing holes.
- Mechanical life of switches: 1 million operations.
- Operation frequency: 3600 operations/hour max.
- IP protection degree: DIN is classified IP66 with specific cable clamp M20.
- Extreme temperature resistance: -25°C to +70°C.
- It features die-cast aluminium enclosure and head in thermoplastic material.
- All materials and components used are wear resistant and guarantee protection of the unit against water and dust.

### OPTIONS

- 1 snap or slow action switch with 1NO+1NC contacts
- Heads with 16 different types of actuators for different applications.

### CERTIFICATIONS

- CE marking and EAC certification.

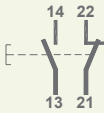
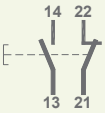
## CERTIFICATIONS

Conformity to Community Directives	2014/35/UE Low Voltage Directive
	2006/42/CE Machinery Directive
Conformity to CE Standards	EN 60204-1 Safety of machinery - Electrical equipment of machines
	EN 60947-1 Low-voltage switchgear and controlgear
	EN 60947-5-1 Low-voltage switchgear and controlgear - Control circuit devices and switching elements - Electromechanical control circuit devices
	EN 60529 Degrees of protection provided by enclosures
Markings and homologations	CE EAC

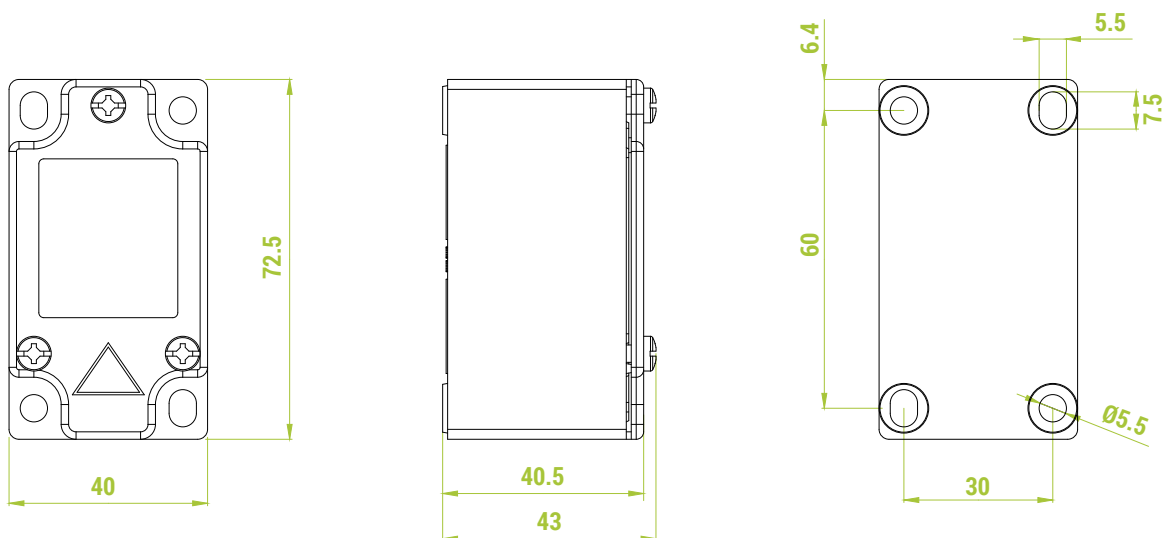
## GENERAL TECHNICAL SPECIFICATIONS

Ambient temperature	Storage -40°C/+70°C
	Operational -25°C/+70°C
IP protection degree	IP66 max. with specific cable clamp M20
Insulation category	Class I
Operation frequency	3600 operations/hour max
Cable entry	Cable clamp M20
Operating position	Any position

## TECHNICAL SPECIFICATIONS OF THE SWITCHES

Code	PRSL0025XX	PRSL0031XX
Utilisation category	AC 15	
Rated operational current	3 A	
Rated operational voltage	250 V	
Rated thermal current	10 A	
Rated insulation voltage	300 V~	
Mechanical life	1x10 <sup>6</sup> operations	
Connections	Screw-type terminals	
Wires	1x2.5 mm <sup>2</sup> , 2x1.5 mm <sup>2</sup>	
Tightening torque	0.8 Nm	
Microswitch type	Double break, snap action	Double break, slow action
Contacts	1NO+1NC	1NO+1NC
Scheme		
Markings and homologations	CE EAC	

## OVERALL DIMENSIONS (mm)



## LIMIT SWITCHES

Description and overall dimensions (mm)	Switch type		Actuating travel	Code
	PRSL0025XX 1NO+1NC snap action	PRSL0031XX 1NO+1NC slow action		
	1	-		PF25760100
	-	1		PF25760300
	1	-		PF25760600
	-	1		PF25760800
	1	-		PF25761100
	-	1		PF25761300
	1	-		PF25761600
	-	1		PF25761800

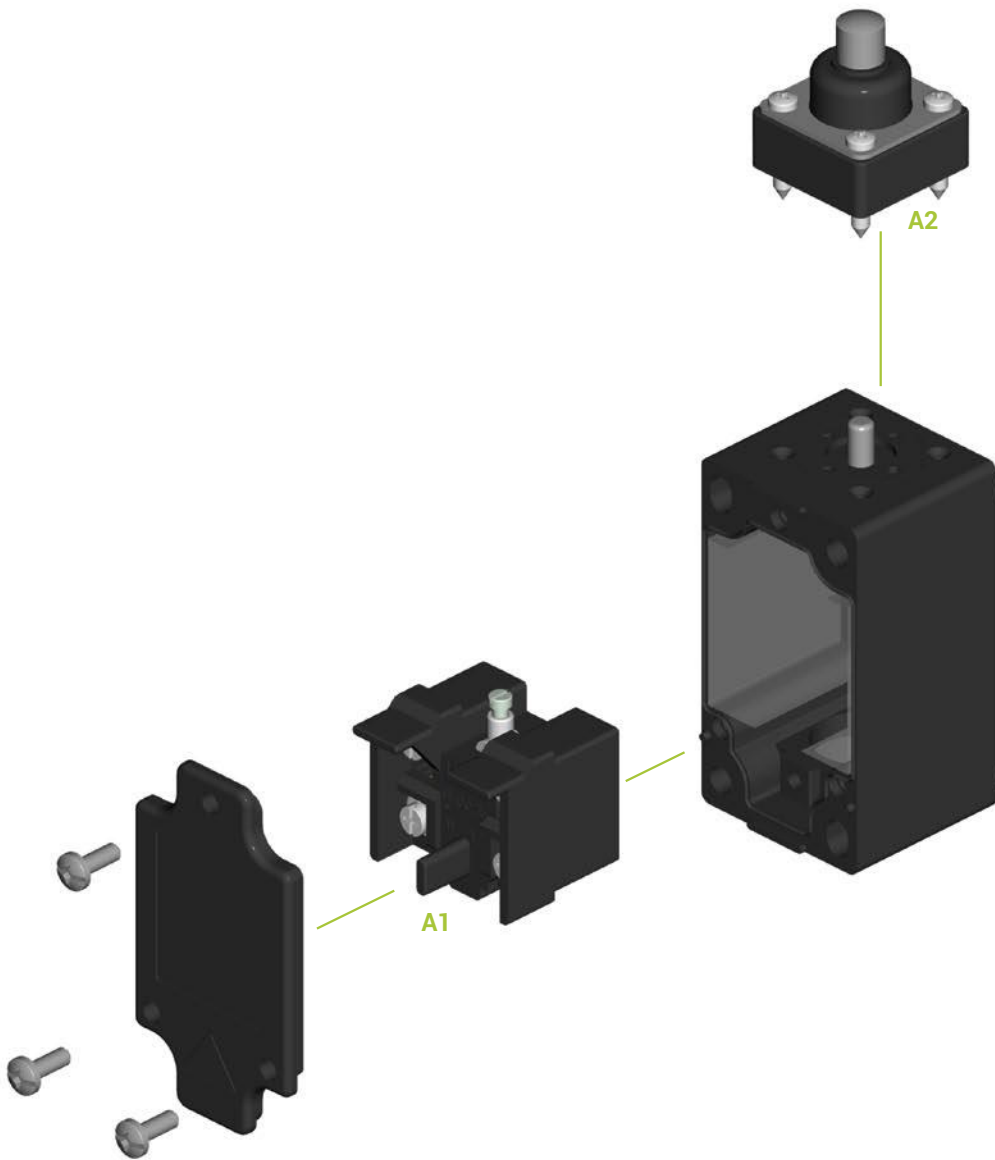
**LIMIT SWITCHES**

Description and overall dimensions (mm)	Switch type		Actuating travel	Code
	PRSL0025XX 1NO+1NC snap action	PRSL0031XX 1NO+1NC slow action		
<b>Angular roller lever</b>				
	1	-		PF25762100
	-	1		PF25762300
<b>Flexible rod</b>				
	1	-		PF25762600
	-	1		PF25762800
<b>Central stiffened spring rod</b>				
	1	-		PF25763100
	-	1		PF25763300
<b>Central spring rod with ferrule</b>				
	1	-		PF25763600
	-	1		PF25763800
<b>Central roller iron lever</b>				
	1	-		PF25764100
	-	1		PF25764300

Description and overall dimensions (mm)	Switch type		Actuating travel	Code
	PRSL0025XX 1NO+1NC snap action	PRSL0031XX 1NO+1NC slow action		
<p>Lateral roller lever</p>				
	1	-		PF25765100
	-	1		PF25765300
<p>Adjustable roller lever</p>				
	1	-		PF25765600
	-	1		PF25765800
<p>Adjustable steel rod</p>				
	1	-		PF25766100
	-	1		PF25766300
<p>Lateral stiffened spring rod</p>				
	1	-		PF25766600
	-	1		PF25766800
<p>Lateral spring rod with ferrule</p>				
	1	-		PF25767100
	-	1		PF25767300

Description and overall dimensions (mm)	Switch type		Actuating travel	Code
	PRSL0025XX 1NO+1NC snap action	PRSL0031XX 1NO+1NC slow action		
Ring for rope				PF25767600
Double lever				PF25768100
				PF25768300

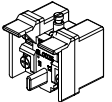
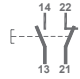
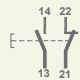
## ASSEMBLY DRAWING



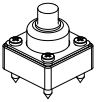
Refer to the following tables for descriptions of components: "Switches" and "Accessories".

## COMPONENTS

## Switches

Ref.	Drawing	Description	Scheme	Code
A1		1NO+1NC snap action switch		PRSL0025XX
		1NO+1NC slow action switch		PRSL0031XX

## Accessories

Ref.	Drawing	Description	Code
A2		Head	PF257__ _TE The head code is the same of the corresponding limit switch code, ending with TE instead of 00

