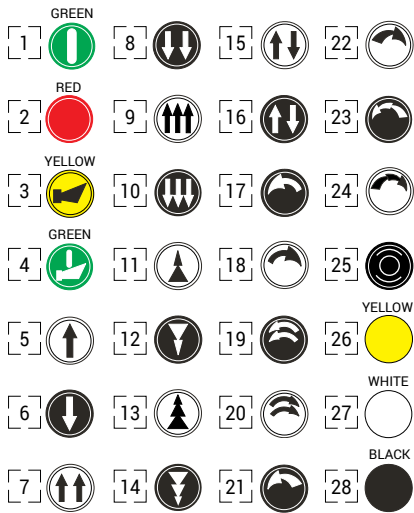


NPA - REQUEST FORM FOR NON STANDARD PENDANT STATION

2

Disk for dust-tight pushbutton



Switches

- A PRSL0501PI Lamp holder
- B PRSL0502PI Switch 1NC
- C PRSL0503PI Switch 1NO
- D PRSL0504PI Switch 1 speed 1NO+1NC+1NO simultaneous
- E PRSL0505PI Switch 2 speeds 1NO+1NC+1NO sequenced
- F PRSL0506PI Switch 1 speed 3NO simultaneous
- G PRSL0507PI Switch 3 speeds 3NO sequenced

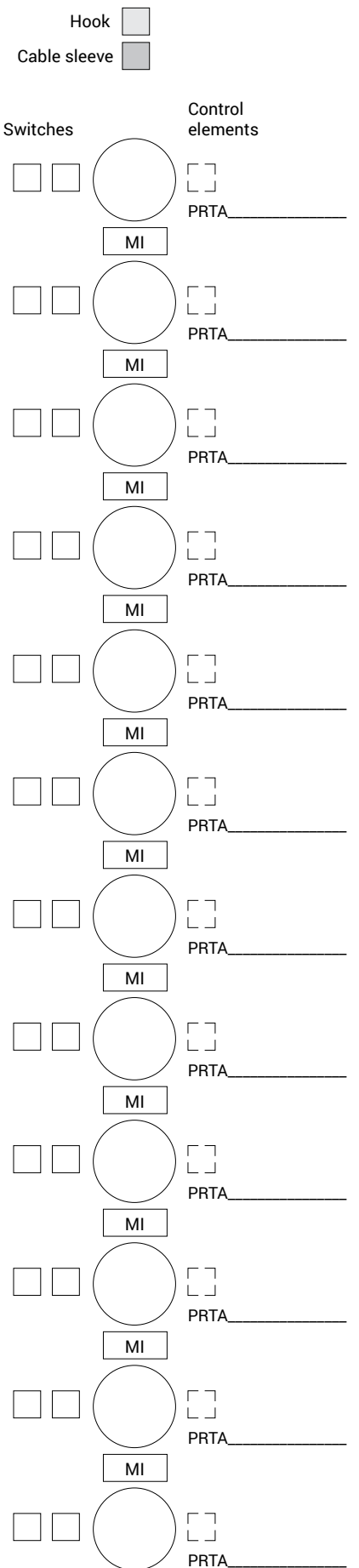
Control elements

- 30 PRTAXXXXXX Pushbutton
- 31 PRSL0517PI Blanking plug
- 32 PRSL0500PI Latched mushroom pushbutton for emergency stop
- 33 PRSL0512PI Impulse mushroom pushbutton
- 34 PRSL0520PI Key mushroom pushbutton
- 35 PRSL0513PI 2 or 3 maintained positions key selector switch
- 36 PRSL0514PI 2 or 3 maintained positions selector switch
- 37 PRSL0519PI Spring return 2 or 3 positions selector switch
- 38 PRSL0515PI Red pilot light
- 39 PRSL0516PI Green pilot light
- 40 PRSL0521PI Yellow pilot light

Instructions

- Fill in the pendant station scheme for the number of control elements required (2, 3, 4, 6, 8, 10, or 12 buttons).
- Write the number corresponding to the control element required. For dust-tight pushbuttons write the number corresponding to the symbol required; for standard pushbuttons write the code number. Mark the direction of the arrow into the corresponding circle.
- Write the letter corresponding to the switches required (max. 2) into the unbroken boxes.
- Tick the rectangular box between the pushbuttons when the mechanical interlock is required MI .
- Tick the appropriate box to show where the cable sleeve and the hook must be assembled (top or bottom).

Remarks



Hook
Cable sleeve

