

JULIET-PK

Joystick station



Handy and compact joystick station. Juliet PK is a user-friendly, ergonomic product, whose size and shape are the result of careful analysis of the aspects linked to daily use in modern industrial environments.

FEATURES

- Designed for Juliet joysticks.
- Designed to facilitate maintenance, reducing down time and costs.
- Aluminium protection against accidental operation in case of impact.
- The emergency stop mushroom pushbutton complies with standard EN 418 and is positioned in the middle for intuitive operation in case of danger.
- Mechanical life of switches: 1 million operations.
- IP protection degree: Juliet PK is classified IP65.
- Extreme temperature resistance: -25°C to +70°C.
- All materials and components used are wear resistant and guarantee protection of the unit against water and dust.

OPTIONS

- Wide range of actuators: pushbuttons, selector switches and key-selector switches, pilot lights.
- Switches with 1NC or 1NO contacts
- The variable length strap, for waist or shoulder wear, features a quick fastening system.
- Available with customized labels and enclosures with different size holes.

CERTIFICATIONS

- CE marking and EAC certification.

Fill in the request form for accurate product configuration.

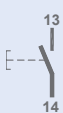

CERTIFICATIONS

Conformity to Community Directives	2014/35/UE Low Voltage Directive
	2006/42/CE Machinery Directive
Conformity to CE Standards	EN 60204-1 Safety of machinery - Electrical equipment of machines
	EN 60947-1 Low-voltage switchgear and controlgear
	EN 60947-5-1 Low-voltage switchgear and controlgear - Control circuit devices and switching elements - Electromechanical control circuit devices
	EN 60529 Degrees of protection provided by enclosures
Markings and homologations	EN 418 Safety of machinery - Emergency stop equipment, functional
	CE EAC

GENERAL TECHNICAL SPECIFICATIONS

Ambient temperature	Storage -40°C/+70°C Operational -25°C/+70°C
IP protection degree	IP 65
Insulation category	Class II
Cable entry	Cable sleeve (Ø 14÷26 mm)
Operating positions	Any position
Weight	~1.5 kg

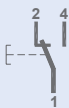
TECHNICAL SPECIFICATIONS OF THE MICROSWITCHES

Code	PRSL1000PI	PRSL1001PI
Utilisation category		AC 15
Rated operational current		3 A
Rated operational voltage		250 Vac
Rated thermal current		10 A
Rated insulation voltage		500 Vac
Mechanical life		1x10 ⁶ operations
Connections		Screw-type terminal
Wires		1x2.5 mm ² , 2x1.5 mm ² (UL - (c)UL: use 60°C or 75°C copper (CU) conductor and wire 16-18 AWG)
Tightening torque		0.6 Nm
Microswitch type	Double break, slow action	Double break, slow action
Contacts	1NO	1NC (All NC contacts are of the positive opening operation type ↻)
Scheme		
Markings and homologations		CE cULus EAC

TECHNICAL SPECIFICATIONS OF THE LAMP HOLDERS

Code	PRSL1004PI
Maximum voltage	125 V
Maximum power	2,6 W
Lamp type	T5.5K 22 mm
Connections	Screw-type terminal
Wires	1x2.5 mm ² , 2x1.5 mm ²
Tightening torque	0.6 Nm
Markings and homologations	CE

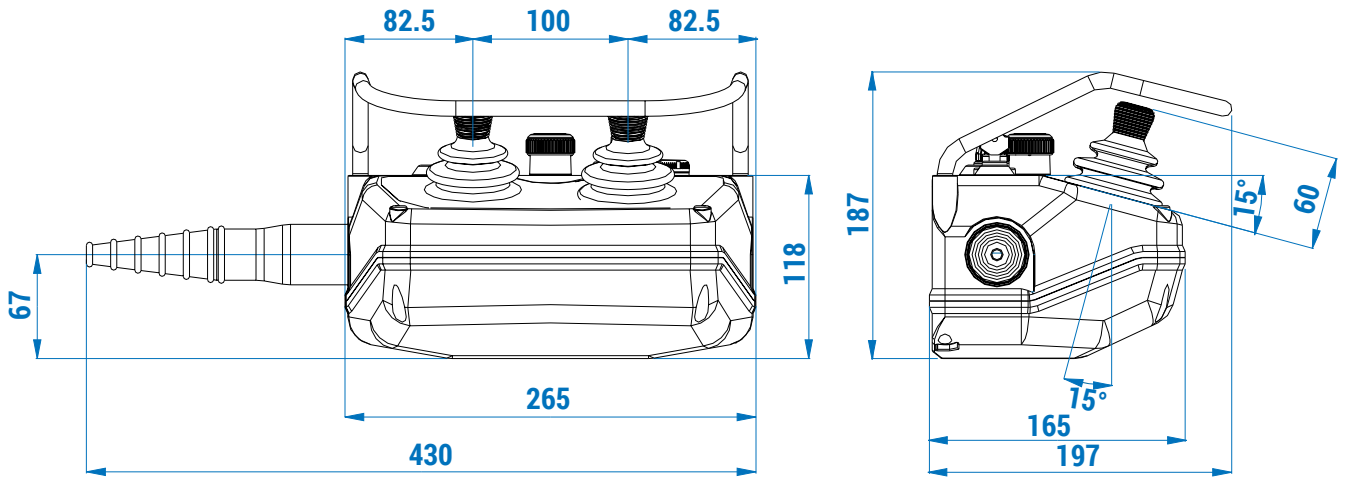
TECHNICAL SPECIFICATIONS OF THE MICROSWITCHES (JOYSTICK)

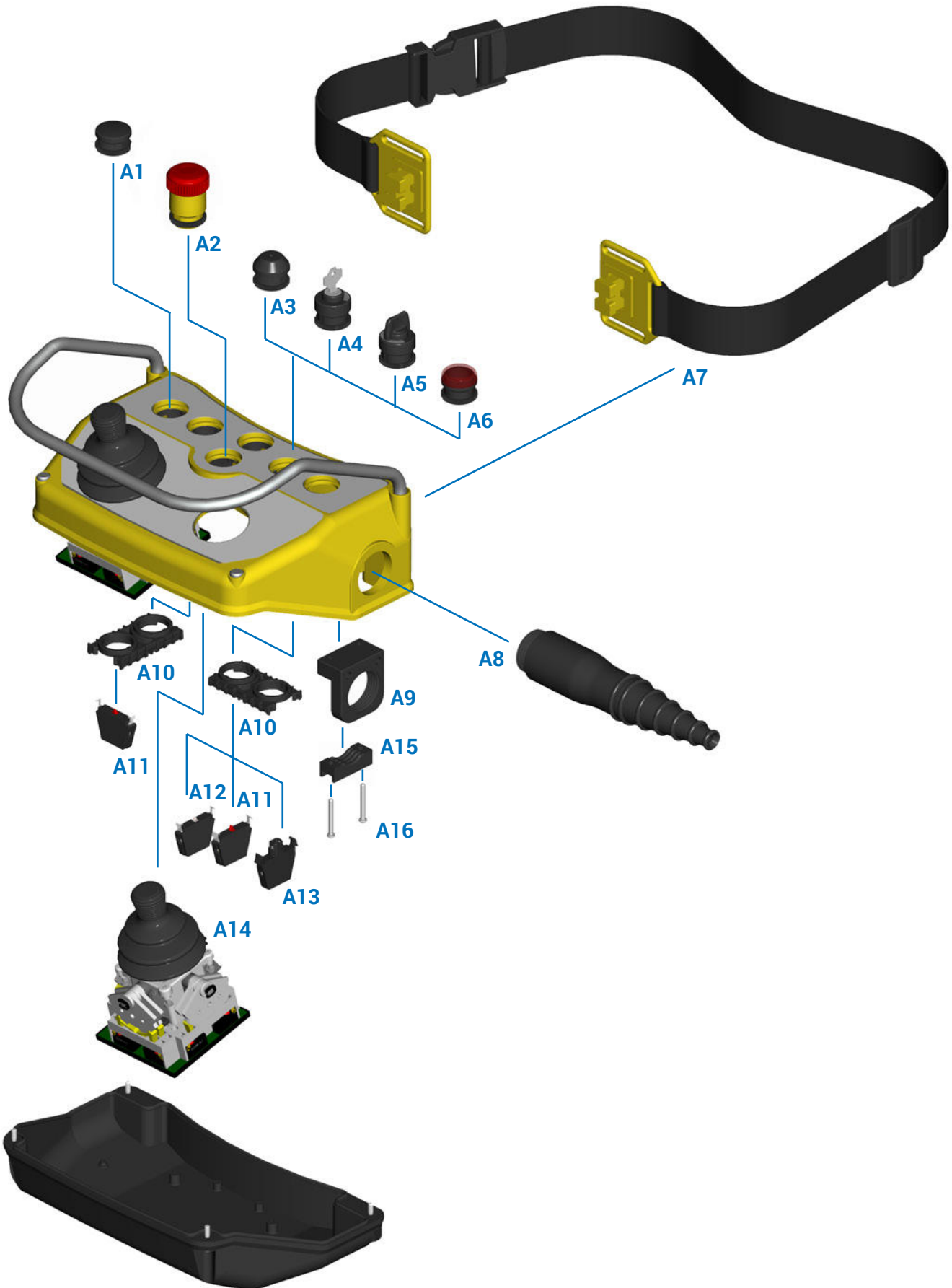
Code	PRVV0804PE
Utilisation category	AC 15
Rated thermal current	8 A
Rated insulation voltage	1000 Vac
Mechanical life	5x10 ⁶ operations
Connections	Screw-type terminal
Wires	0.14 mm ² - 1.5 mm ²
Tightening torque	0.22 Nm - 0.25 Nm
Microswitch type	Single break
Contacts	1NO+1NC change-over contacts
Scheme	
Markings and homologations	CE

TECHNICAL SPECIFICATIONS OF THE POTENTIOMETERS (JOYSTICK)

Code	PRVV9021PE	PRVV9026PE
Ohmic value	5 kΩ	10 kΩ
Connections	4 turrets	
Independent linearity (over AEA -3°)	≤ ±1%	
Life time	5x10 ⁶ movements	
Operational ambient temperature	-55 °C/+125 °C	
Mechanical angle	360° continuous	
Actual Electrical Angle (AEA)	340°±5°	
Ohmic value tolerance	Max ±20% at 20°C	
Dissipation	0.3 W	

OVERALL DIMENSIONS (mm)




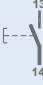







The descriptions of all the components can be found in the following charts: "Switches", "Actuators", "Pilot lights", "Mushroom pushbuttons", "Selector switches", "Joystick's and Accessories".

COMPONENTS


Switches

Ref.	Drawing	Description	Scheme	Code
A11		1NC single switch		PRSL1001PI
A12		1NO single switch		PRSL1000PI
A13		Lamp holder	-	PRSL1004PI


Actuators

Ref.	Drawing	Description	Code
A1		Blanking plug	PRSL1023PI
A3		Pushbutton	PRTS000001



Pilot lights

Ref.	Drawing	Color	Code
A6		Red	PRSL1012PI
		Yellow	PRSL1013PI
		Green	PRSL1014PI

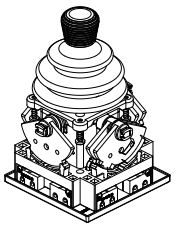
Mushroom pushbuttons

Ref.	Drawing	Description	Code
A2		Latched mushroom pushbutton for emergency stop	PRSL1009PI

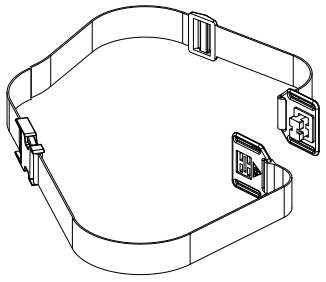
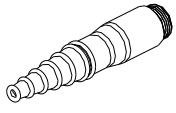

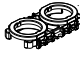


Selector switches

Ref.	Drawing	Positions	Spring return	Maintained positions	Pull-out position	Code
A4		0/1		X	0	PRSL1017PI
		0/1	X		0	PRSL1024PI
A5		0/1	X			PRSL1015PI
		0/1		X		PRSL1016PI
		1/0/2	X			PRSL1026PI
		1/0/2		X		PRSL1027PI

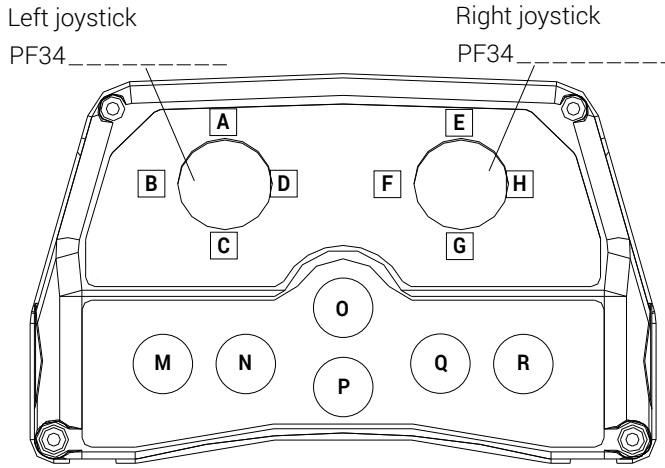
Joysticks

Ref.	Drawing	Description	Code
A14		Joystick Juliet	PF34_----- Refer to joystick Juliet documentation

Accessories

Ref.	Drawing	Description	Code
A7		Waist strap	PRSL0160PE
		Shoulder strap	PRSL0161PE
A8		Cable sleeve	PRSL0145PE
A9		Cable sleeve holder	PRSL9207PI
A10		Holding plate for 3+3 switches	PRSL8736PI
A15		Cable clamp	PRSL9210AU
A16		Screws for cable clamp	PRVI0089PE

JULIET-PK - REQUEST FORM FOR JOYSTICK STATION



Control elements and switches

	Control element	Switches
M	_____	_____
N	_____	_____
O	_____	_____
P	_____	_____
Q	_____	_____
R	_____	_____

Joystick label

	Text
A	_____
B	_____
C	_____
D	_____
E	_____
F	_____
G	_____
H	_____

Control element label

	Symbol	Label color	Text
M	_____	_____	_____
N	_____	_____	_____
O	_____	_____	_____
P	_____	_____	_____
Q	_____	_____	_____
R	_____	_____	_____

Control elements

- 1 PRSL1009PI Mushroom pushbutton
- 2 PRTS000001 Single pushbutton
- 3 PRSL1023PI Blanking plug
- 4 PRSL1012PI Red pilot light
- 5 PRSL1013PI Yellow pilot light
- 6 PRSL1014PI Green pilot light
- 7 PRSL1015PI Selector switch 0/1 spring return
- 8 PRSL1016PI Selector switch 0/1 maintained positions
- 9 PRSL1026PI Selector switch 1/0/2 spring return
- 10 PRSL1027PI Selector switch 1/0/2 maintained positions
- 11 PRSL1017PI Key selector switch 0/1 maintained positions
- 12 PRSL1024PI Key selector switch 0/1 spring return

Switches

- 20 PRSL1000PI 1NO
- 21 PRSL1001PI 1NC
- 22 PRSL1004PI Lamp holder

Symbols and colors of control element label

30	31	32	33
34	40	41	42
43	44		

Position of cable sleeve

Right

Left

Instructions

- Write the code number of the left and right Juliet joysticks required.
- Write the number or the code corresponding to the control elements and switches (max 3) required in each position. ATTENTION: mushroom pushbutton PRSL1009PI can be placed only in the O position.
- Write the text required on the label for each position of the joystick.
- Write the symbol, the color and the text required on the label for each control element.
- Tick the appropriate box to show where the cable sleeve must be assembled.