

6200

Footswitch



Footswitch for auxiliary control of industrial machines. It acts on the machine's motor through a power interface, like a contactor.

FEATURES

- The emergency stop mushroom pushbutton complies with standard EN 418.
- Positive opening NC contacts for safety functions.
- Mechanical life of switches: 1 million operations.
- IP protection degree: footswitch 6200 is classified IP53.
- Extreme temperature resistance: -25°C to +70°C.
- Made of plastic material.
- Materials and components are shock and wear resistant.

OPTIONS

- Single or double footswitches fixed on a metal plate, with emergency mushroom pushbutton.
- It may be fitted with "lock-release" device used for keeping the pedal pressed or with safety device to prevent accidental operation.
- Snap or slow action switches with 1NO+1NC contacts, or slow action switches with 2NO+2NC contacts.

CERTIFICATIONS

- CE marking.

Fill in the request form for accurate product configuration.




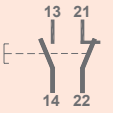
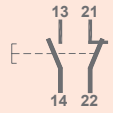
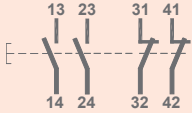
CERTIFICATIONS

Conformity to Community Directives	2014/35/UE Low Voltage Directive
	2006/42/CE Machinery Directive
Conformity to CE Standards	EN 60204-1 Safety of machinery - Electrical equipment of machines
	EN 60947-1 Low-voltage switchgear and controlgear
	EN 60947-5-1 Low-voltage switchgear and controlgear - Control circuit devices and switching elements - Electromechanical control circuit devices
	EN 60529 Degrees of protection provided by enclosures
Markings and homologations	CE
EN 418 Safety of machinery - Emergency stop equipment, functional	

GENERAL TECHNICAL SPECIFICATIONS

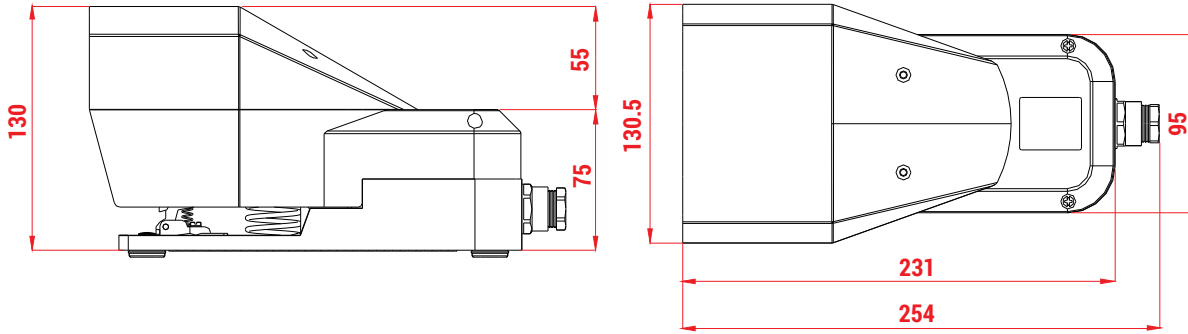
Ambient temperature	Storage -40°C/+70°C Operational -25°C/+70°C
IP protection degree	IP 53
Insulation category	Class I
Cable entry	Cable clamp M20

TECHNICAL SPECIFICATIONS OF THE MICROSWITCHES

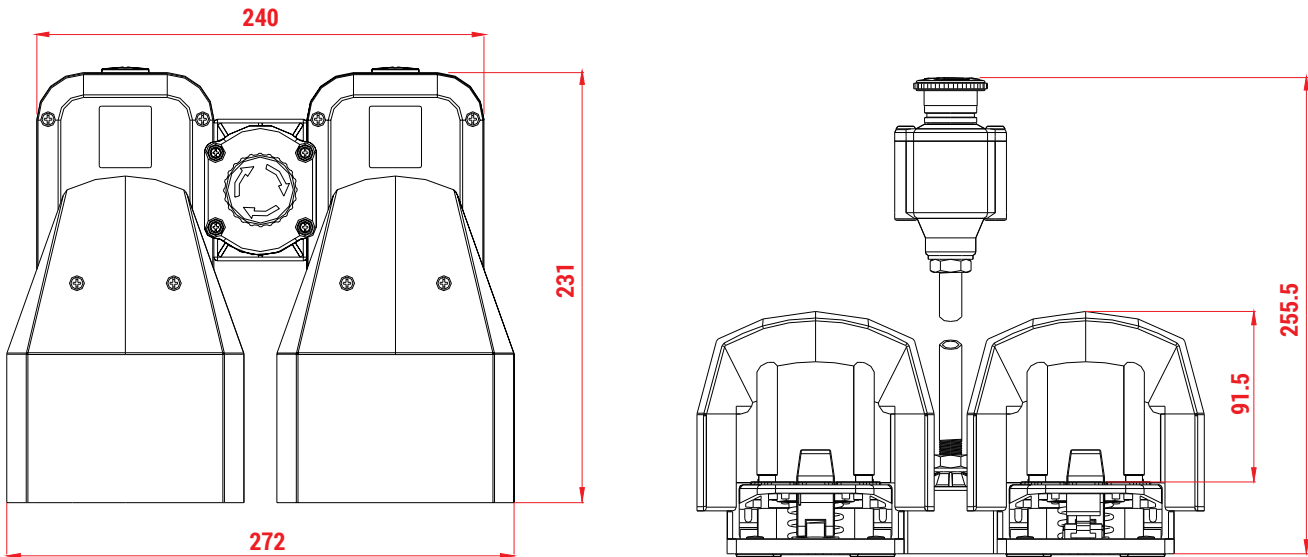
Code	PRSL0036XX	PRSL0045PI	PRSL0047PI
Utilisation category	AC15		AC 15
Rated operational current	3 A		1.9 A
Rated operational voltage	250 Vac		380 Vac
Rated thermal current	10 A		10 A
Rated insulation voltage	300 Vac		500 Vac
Mechanical life	1x10 ⁶ operations		
Connections	Screw-type terminal		
Wires	1x2.5 mm ² , 2x1.5 mm ² (UL - (c)UL: use 60°C or 75°C copper (CU) conductor and wire 16-18 AWG)		
Tightening torque	0.8 Nm		
Microswitch type	Double break, snap action	Double break, slow action	Double break, slow action
Contacts	1NO+1NC (All NC contacts are of the positive opening operation type )	1NO+1NC (All NC contacts are of the positive opening operation type )	2NO+2NC (All NC contacts are of the positive opening operation type )
Scheme			
Markings and homologations	CE cUL _{us} EAC		CE cUL _{us}

OVERALL DIMENSIONS (mm)

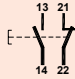
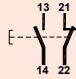
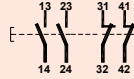
Simple



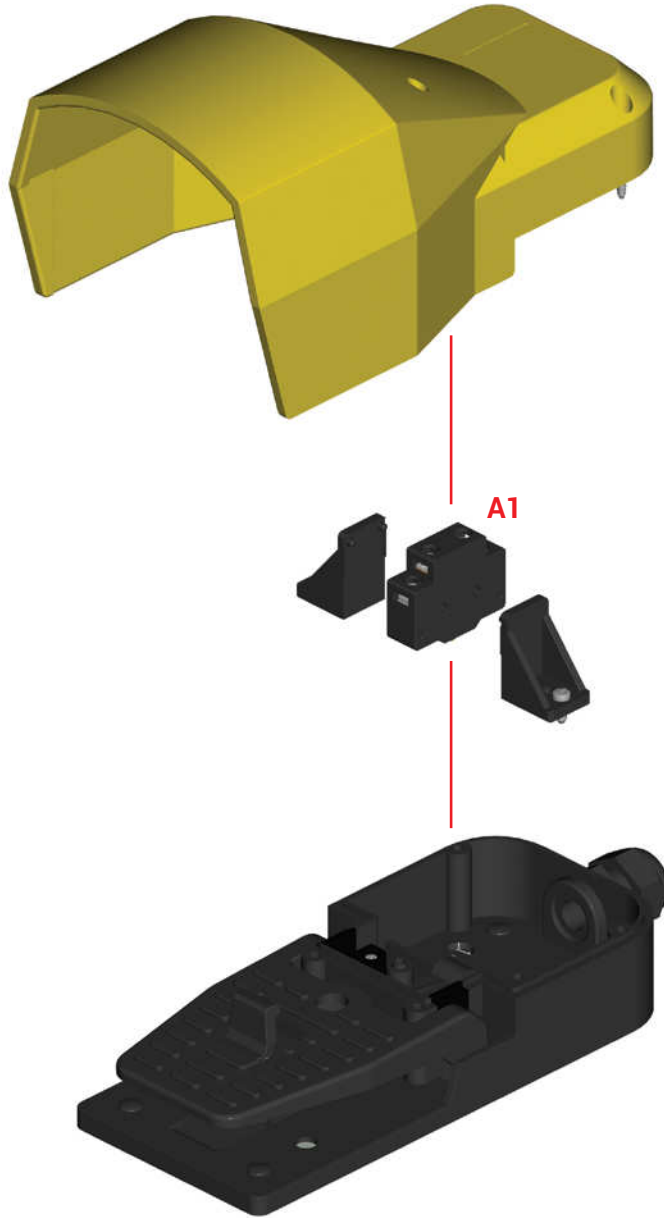
Double



STANDARD FOOTSWITCHES

Footswitch type		No. of switches			Code
Simple	Double	PRSL0036XX 1NO+1NC snap action 	PRSL0045PI 1NO+1NC slow action 	PRSL0047PI 2NO+2NC slow action 	
X		1			PF18620010
X		2			PF18620025
X			1		PF18620037
X				1	PF18620050
	X	2			PF18620053
	X	4			PF18620054
	X		2		PF18620055
	X			2	PF18620056

ASSEMBLY DRAWING



The descriptions of all the components can be found in the following chart: "Switches".

COMPONENTS

Switches

Ref.	Drawing	Description	Scheme	Code
		1NO+1NC snap action switch		PRSL0036XX
A1		1NO+1NC slow action switch		PRSL0045PI
		2NO+2NC slow action switch		PRSL0047PI

