

# 6100

## Footswitch



Footswitch for auxiliary control of industrial machines. It acts on the machine's motor through a power interface, like a contactor.

### FEATURES

- The emergency stop mushroom pushbutton complies with standard EN 418.
- Positive opening NC contacts for safety functions.
- Mechanical life of switches: 1 million operations.
- IP protection degree: footswitch 6100 is classified IP53.
- Extreme temperature resistance: -25°C to +70°C.
- Made of plastic material or die-cast aluminium.
- Materials and components are shock and wear resistant.

### OPTIONS

- Available with standard protection cover or large cover for safety shoes.
- Single or double footswitches fixed on a metal plate, with emergency mushroom pushbutton.
- Special footswitch design for pneumatic valve with fixing plate.
- It may be fitted with "lock-release" device used for keeping the pedal pressed or with safety device to prevent accidental operation.
- Snap or slow action switches with 1NO+1NC contacts, or slow action switches with 2NO+2NC contacts.

### CERTIFICATIONS

- CE marking.

*Fill in the request form for accurate product configuration.*




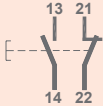
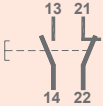
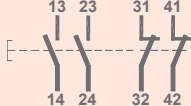


## CERTIFICATIONS

Conformity to Community Directives	2014/35/UE Low Voltage Directive
	2006/42/CE Machinery Directive
Conformity to CE Standards	EN 60204-1 Safety of machinery - Electrical equipment of machines
	EN 60947-1 Low-voltage switchgear and controlgear
	EN 60947-5-1 Low-voltage switchgear and controlgear - Control circuit devices and switching elements - Electromechanical control circuit devices
	EN 60529 Degrees of protection provided by enclosures
Markings and homologations	EN 418 Safety of machinery - Emergency stop equipment, functional
	CE

## GENERAL TECHNICAL SPECIFICATIONS

Ambient temperature	Storage -40°C/+70°C
	Operational -25°C/+70°C
IP protection degree	IP 53
Insulation category	Class I
Cable entry	Cable clamp M20

## TECHNICAL SPECIFICATIONS OF THE MICROSWITCHES

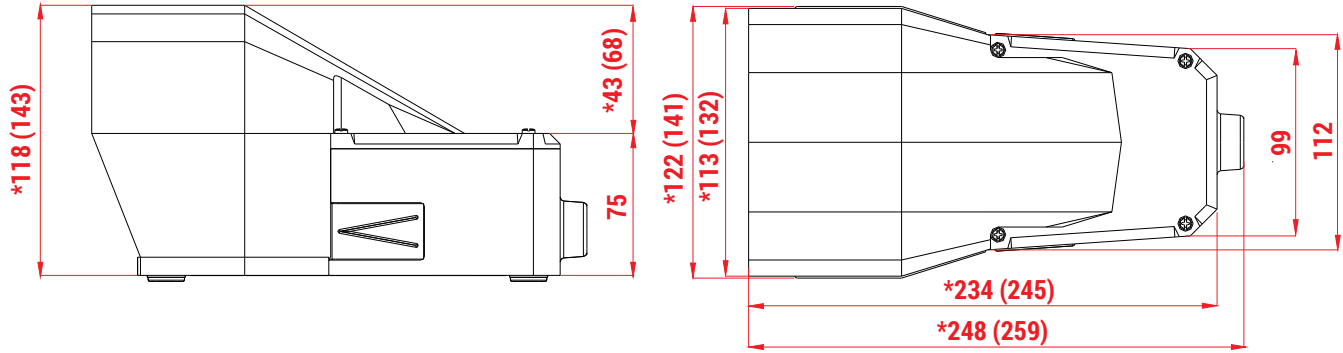
Code	PRSL0036XX	PRSL0045PI	PRSL0047PI
Utilisation category	AC15		AC 15
Rated operational current	3 A		1,9 A
Rated operational voltage	250 Vac		380 Vac
Rated thermal current	10 A		10 A
Rated insulation voltage	300 Vac		500 Vac
Mechanical life	1x10 <sup>6</sup> operations		
Connections	Screw-type terminal		
Wires	1x2.5 mm <sup>2</sup> , 2x1.5 mm <sup>2</sup> (UL - (c)UL: use 60°C or 75°C copper (CU) conductor and wire 16-18 AWG)		
Tightening torque	0.8 Nm		
Microswitch type	Double break, snap action	Double break, slow action	Double break, slow action
Contacts	1NO+1NC (All NC contacts are of the positive opening operation type  )	1NO+1NC (All NC contacts are of the positive opening operation type  )	2NO+2NC (All NC contacts are of the positive opening operation type  )
Scheme			
Markings and homologations	CE  EAC	CE 	

## OVERALL DIMENSIONS (mm)

### Simple

\* with standard protection

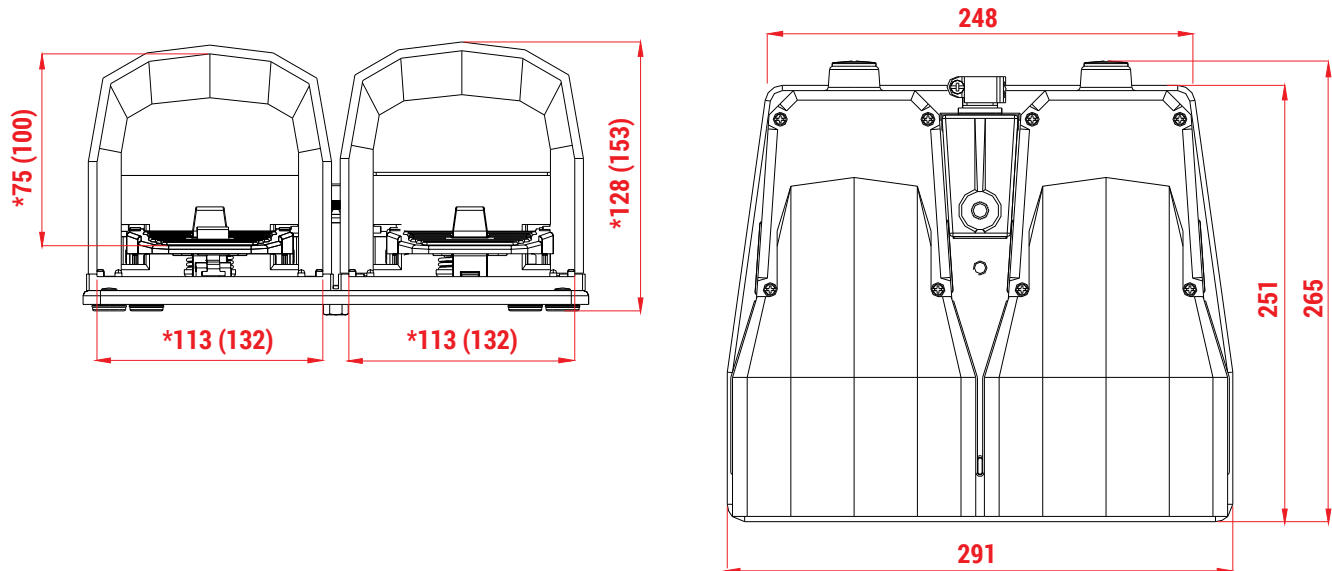
() with large protection



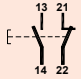
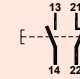
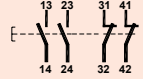
### Double

\* with standard protection

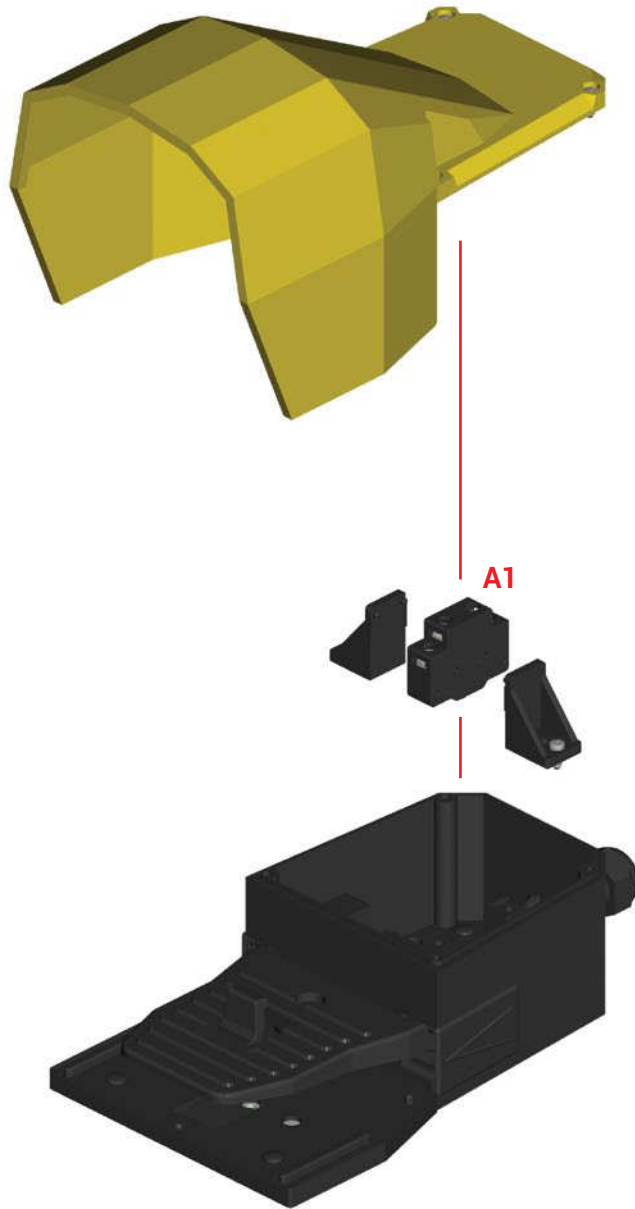
() with large protection



## STANDARD FOOTSWITCHES

Material	Footswitch type			Protection		No. of switches			Code	
	Simple	Double	For valves	Standard	Large	PRSL0036XX 1NO+1NC snap action 	PRSL0045PI 1NO+1NC slow action 	PRSL0047PI 2NO+2NC slow action 		
Plastic	X				X	1			PF04612100	
	X				X	2			PF04612200	
	X				X	3			PF04612300	
	X				X		1		PF04612500	
	X				X			1	PF04612600	
	X				X		1	1	PF04612700	
	X				X			2	PF04612800	
		X			X	2			PF04613100	
			X		X	4			PF04613200	
		X			X		2		PF04613300	
			X		X			2	PF04613400	
		X			X			4	PF04613500	
		X		X	X				PF04814100	
		X		X	X				PF04814600	
	Aluminium	X			X		1			PF04615100
		X			X		2			PF04615200
X				X		3			PF04615300	
X				X			1		PF04615500	
X				X				1	PF04615600	
X				X			1	1	PF04615700	
X				X				2	PF04615800	
		X		X		2			PF04616100	
			X	X		4			PF04616200	
		X		X			2		PF04616300	
			X	X				2	PF04616400	
		X		X				4	PF04616500	
X					X		1		PF04617100	
X					X		2		PF04617200	
X					X		3		PF04617300	
X					X			1	PF04617500	
X					X			1	PF04617600	
X					X			1	PF04617700	
X				X			2	PF04617800		
	X			X		2		PF04618100		
		X		X		4		PF04618200		
	X			X			2	PF04618300		
		X		X			2	PF04618400		
	X			X			4	PF04618500		

## ASSEMBLY DRAWING



The descriptions of all the components can be found in the following chart: "Switches".

## COMPONENTS

## Switches

Ref.	Drawing	Description	Scheme	Code
		1NO+1NC snap action switch		PRSL0036XX
A1		1NO+1NC slow action switch		PRSL0045PI
		2NO+2NC slow action switch		PRSL0047PI

