

# 6100/6200

## Footswitch



Footswitch for auxiliary control of industrial machines. It acts on the machine motor through a power interface, such as a contactor.

### FEATURES

- The emergency stop mushroom pushbutton complies with standard EN 418.
- Positive opening NC contacts for safety functions.
- Mechanical life of switches: 1 million operations.
- IP protection degree: footswitch 6100/6200 is classified IP53.
- Extreme temperature resistance: -25°C to +70°C.
- Made of plastic material or die-cast aluminium.
- Materials and components are shock and wear resistant.

### OPTIONS

- Available with standard protection cover or large cover for safety shoes (6100 version).
- Single or double footswitches fixed on a metal plate, with emergency mushroom pushbutton.
- Special footswitch design for pneumatic valve with fixing plate (6100 version).
- It may be fitted with "lock-release" device used for keeping the pedal pressed or with safety device to prevent accidental operation.
- Snap or slow action switches with 1NO+1NC contacts, or slow action switches with 2NO+2NC contacts.

### CERTIFICATIONS

- CE marking.

*Fill in the "request form" for accurate product configuration.*


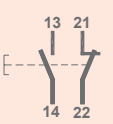
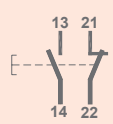
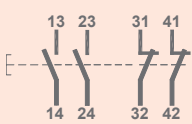
## CERTIFICATIONS

|                                    |  |
|------------------------------------|--|
| Conformity to Community Directives | 2014/35/UE Low Voltage Directive   |
|                                    | 2006/42/CE Machinery Directive   |
| Conformity to CE Standards         | EN 60204-1 Safety of machinery - Electrical equipment of machines  |
|                                    | EN 60947-1 Low-voltage switchgear and controlgear  |
|                                    | EN 60947-5-1 Low-voltage switchgear and controlgear - Control circuit devices and switching elements - Electromechanical control circuit devices |
|                                    | EN 60529 Degrees of protection provided by enclosures  |
| Markings and homologations         | EN 418 Safety of machinery - Emergency stop equipment, functional  |
|                                    | CE   |

## GENERAL TECHNICAL SPECIFICATIONS

|                      |                         |
|----------------------|-------------------------|
| Ambient temperature  | Storage -40°C/+70°C     |
|                      | Operational -25°C/+70°C |
| IP protection degree | IP 53                   |
| Insulation category  | Class I                 |
| Cable entry          | Cable clamps M20        |

## TECHNICAL SPECIFICATIONS OF THE SWITCHES

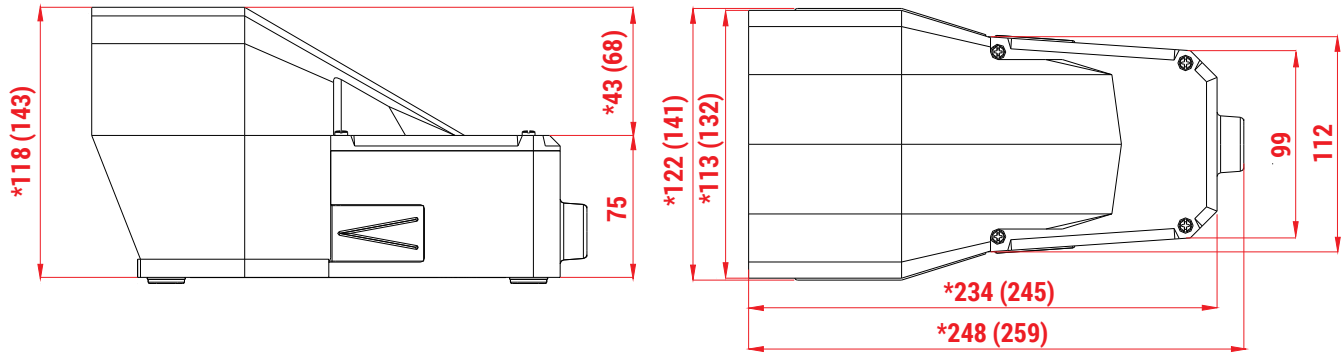
| Code                       | PRSL0036XX  | PRSL0045PI   | PRSL0047PI  |
|----------------------------|---|--|---|
| Utilisation category       | AC15  |  | AC 15   |
| Rated operational current  | 3 A   |  | 1,9 A   |
| Rated operational voltage  | 250 Vac   |  | 380 Vac   |
| Rated thermal current      | 10 A  |  | 10 A  |
| Rated insulation voltage   | 300 Vac   |  | 500 Vac   |
| Mechanical life            | 1x10 <sup>6</sup> operations  |  |   |
| Connections                | Screw-type terminals  |  |   |
| Wires                      | 1x2.5 mm <sup>2</sup> , 2x1.5 mm <sup>2</sup><br>(UL - (c)UL: use 60°C or 75°C copper (CU) conductor and wire 16-18 AWG)  |  |   |
| Tightening torque          | 0.8 Nm  |  |   |
| Microswitch type           | Double break, snap action   | Double break, slow action  | Double break, slow action   |
| Contacts                   | 1NO+1NC<br>(All NC contacts are of the positive opening operation type<br> ) | 1NO+1NC  | 2NO+2NC   |
| Scheme                     |    |  |  |
| Markings and homologations | CE cUL <sub>us</sub> EAC  |  | CE cUL <sub>us</sub>  |

## FOOTSWITCH 6100 - OVERALL DIMENSIONS (mm)

### Simple

\* with standard protection

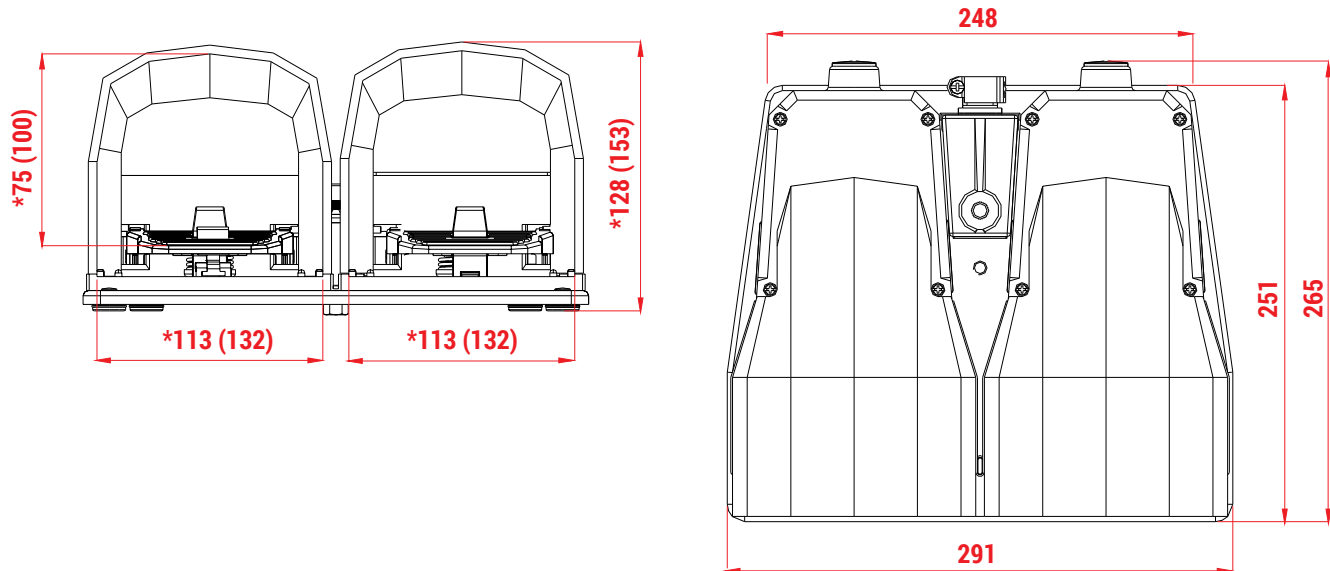
() with large protection



### Double

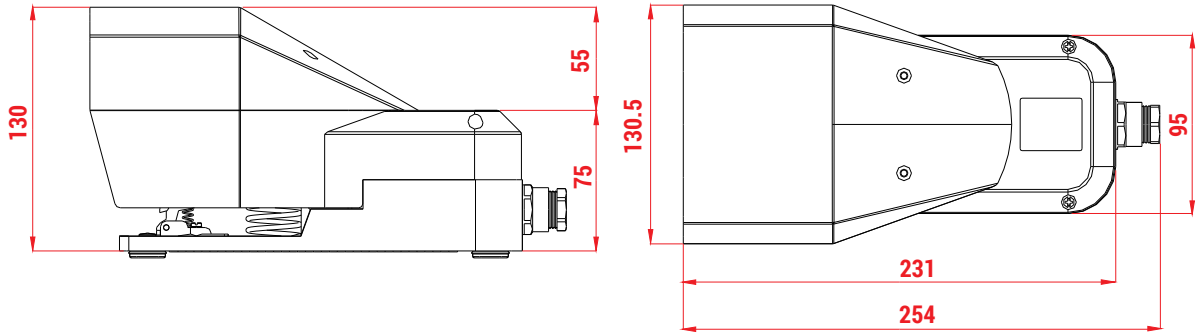
\* with standard protection

() with large protection

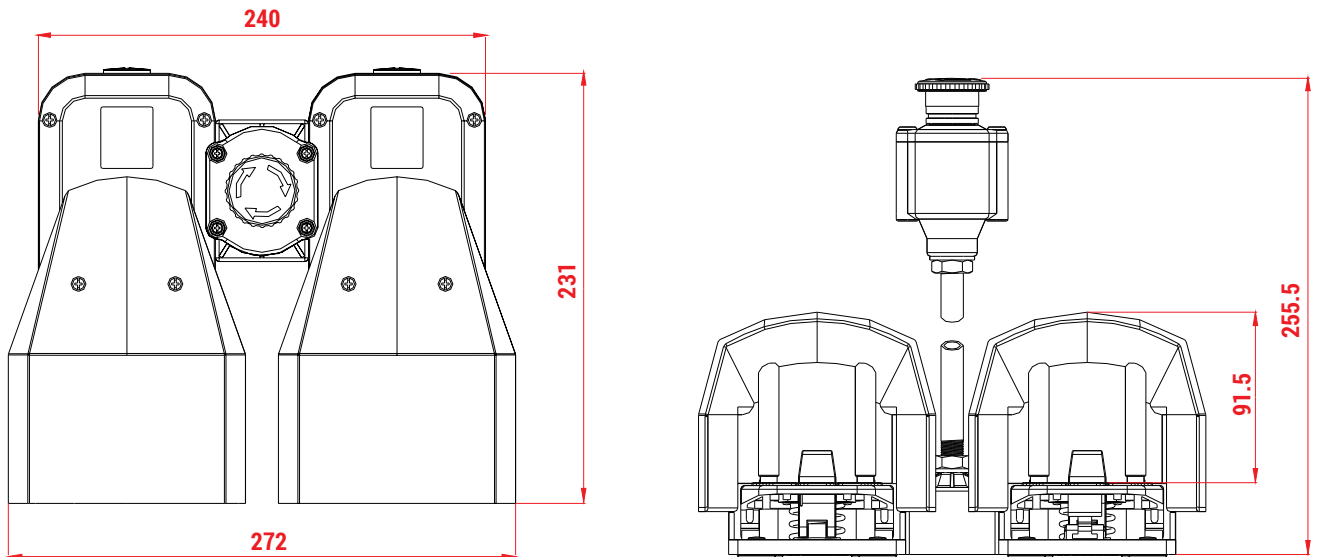


## FOOTSWITCH 6200 - OVERALL DIMENSIONS (mm)

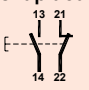
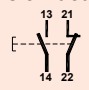
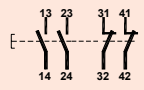
### Simple



### Double



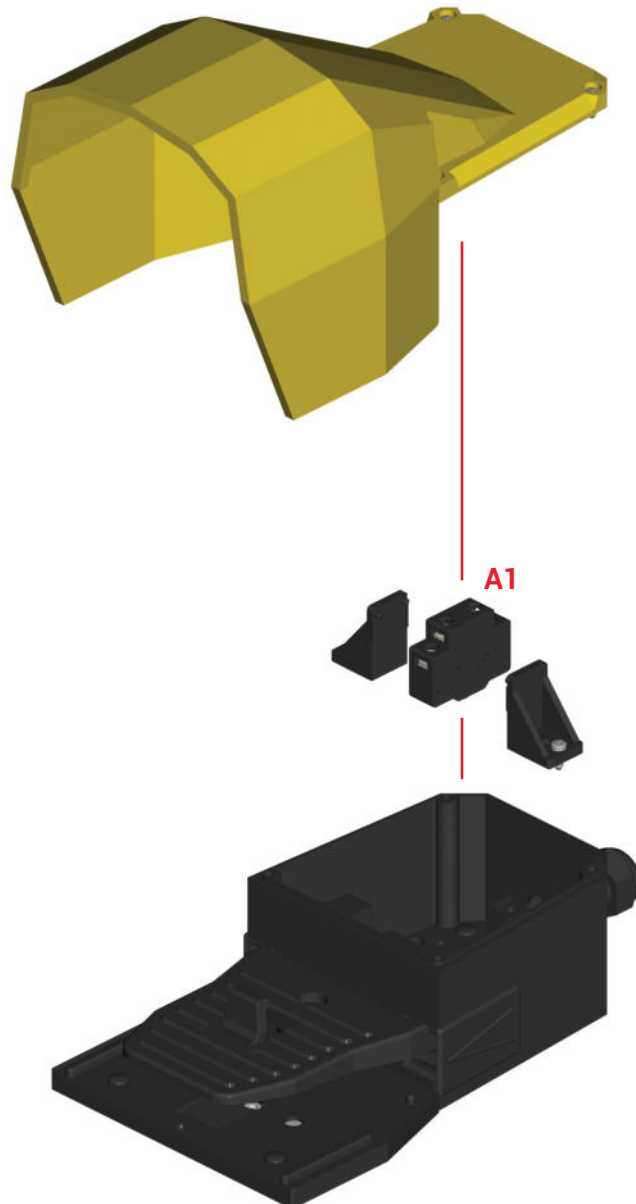
## STANDARD 6100 FOOTSWITCHES

| Material  | Footswitch type |        |            | Protection |       | No. of switches   |   |   | Code       |
|-----------|-----------------|--------|------------|------------|-------|---|---|---|------------|
|           | Simple          | Double | For valves | Standard   | Large | PRSL0036XX<br>1NO+1NC<br>snap action<br> | PRSL0045PI<br>1NO+1NC<br>slow action<br> | PRSL0047PI<br>2NO+2NC<br>slow action<br> |            |
| Plastic   | X               |        |            |            | X     | 1   |   |   | PF04612100 |
|           | X               |        |            |            | X     | 2   |   |   | PF04612200 |
|           | X               |        |            |            | X     | 3   |   |   | PF04612300 |
|           | X               |        |            |            | X     |   | 1   |   | PF04612500 |
|           | X               |        |            |            | X     |   |   | 1   | PF04612600 |
|           | X               |        |            |            | X     |   | 1   | 1   | PF04612700 |
|           | X               |        |            |            | X     |   |   | 2   | PF04612800 |
|           |                 | X      |            |            |       | X   | 2   |   | PF04613100 |
|           |                 |        | X          |            |       | X   | 4   |   | PF04613200 |
|           |                 | X      |            |            |       | X   |   | 2   | PF04613300 |
|           |                 |        | X          |            |       | X   |   | 2   | PF04613400 |
|           |                 | X      |            |            |       | X   |   | 4   | PF04613500 |
|           |                 | X      |            | X          | X     |   |   |   | PF04814100 |
|           |                 | X      |            | X          |       | X   |   |   | PF04814600 |
| Aluminium | X               |        |            |            | X     | 1   |   |   | PF04615100 |
|           | X               |        |            |            | X     | 2   |   |   | PF04615200 |
|           | X               |        |            |            | X     | 3   |   |   | PF04615300 |
|           | X               |        |            |            | X     |   | 1   |   | PF04615500 |
|           | X               |        |            |            | X     |   |   | 1   | PF04615600 |
|           | X               |        |            |            | X     |   | 1   | 1   | PF04615700 |
|           | X               |        |            |            | X     |   |   | 2   | PF04615800 |
|           |                 | X      |            |            |       | X   | 2   |   | PF04616100 |
|           |                 |        | X          |            |       | X   | 4   |   | PF04616200 |
|           |                 | X      |            |            |       | X   |   | 2   | PF04616300 |
|           |                 |        | X          |            |       | X   |   | 2   | PF04616400 |
|           |                 | X      |            |            |       | X   |   | 4   | PF04616500 |
|           |                 | X      |            |            |       | X   | 1   |   | PF04617100 |
|           |                 | X      |            |            |       | X   | 2   |   | PF04617200 |
|           |                 | X      |            |            |       | X   | 3   |   | PF04617300 |
|           |                 | X      |            |            |       | X   |   | 1   | PF04617500 |
|           |                 | X      |            |            |       | X   |   | 1   | PF04617600 |
|           |                 | X      |            |            |       | X   |   | 1   | PF04617700 |
|           | X               |        |            |            | X     |   | 2   | PF04617800  |            |
|           |                 | X      |            |            | X     | 2   |   | PF04618100  |            |
|           |                 | X      |            |            | X     | 4   |   | PF04618200  |            |
|           |                 | X      |            |            | X     |   | 2   | PF04618300  |            |
|           |                 | X      |            |            | X     |   | 2   | PF04618400  |            |
|           |                 | X      |            |            | X     |   | 4   | PF04618500  |            |

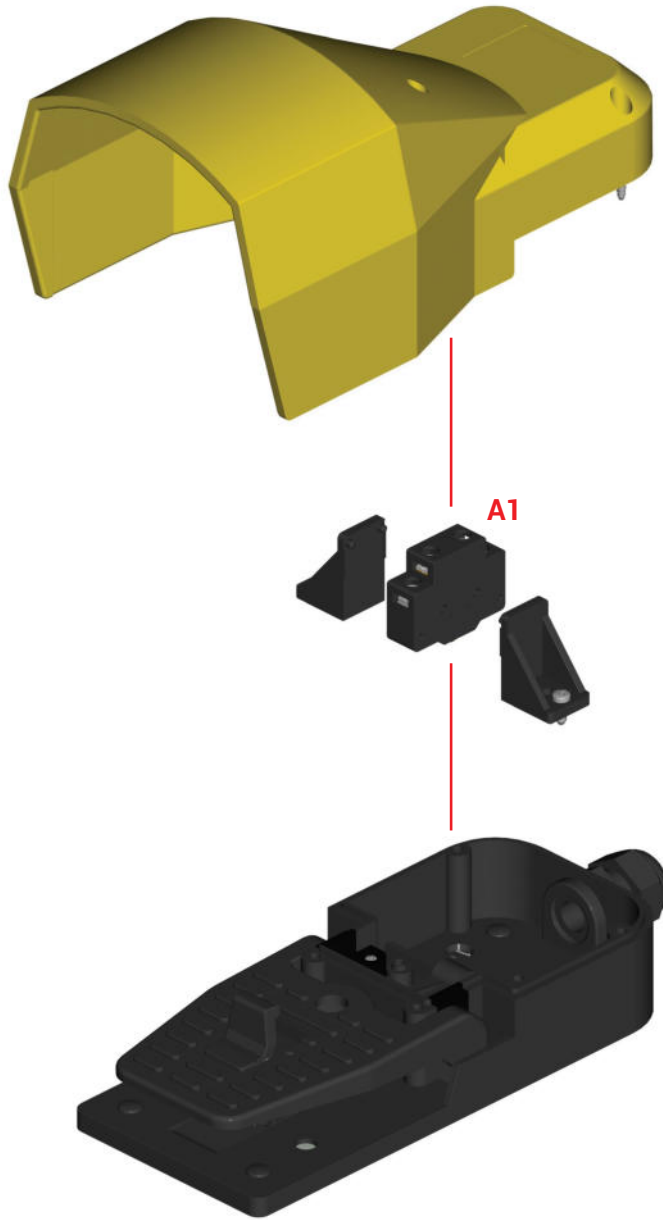
## STANDARD 6200 FOOTSWITCHES

| Footswitch type |        | No. of switches                      |                                      |                                      | Code       |
|-----------------|--------|--------------------------------------|--------------------------------------|--------------------------------------|------------|
| Simple          | Double | PRSL0036XX<br>1NO+1NC<br>snap action | PRSL0045PI<br>1NO+1NC<br>slow action | PRSL0047PI<br>2NO+2NC<br>slow action |            |
| X               |        | 1                                    |                                      |                                      | PF18620010 |
| X               |        | 2                                    |                                      |                                      | PF18620025 |
| X               |        |                                      | 1                                    |                                      | PF18620037 |
| X               |        |                                      |                                      | 1                                    | PF18620050 |
|                 | X      | 2                                    |                                      |                                      | PF18620053 |
|                 | X      | 4                                    |                                      |                                      | PF18620054 |
|                 | X      |                                      | 2                                    |                                      | PF18620055 |
|                 | X      |                                      |                                      | 2                                    | PF18620056 |

## 6100 FOOTSWITCH - ASSEMBLY DRAWING



Refer to the following table for descriptions of components: "Switches".



Refer to the following table for descriptions of components: "Switches".

**COMPONENTS**

**Switches**

| Ref. | Drawing | Description                | Scheme | Code       |
|------|---------|----------------------------|--------|------------|
|      |         | 1NO+1NC snap action switch |        | PRSL0036XX |
| A1   |         | 1NO+1NC slow action switch |        | PRSL0045PI |
|      |         | 2NO+2NC slow action switch |        | PRSL0047PI |

