

50A

SLIP RING COLLECTOR

PRODUCT DESCRIPTION

The 50A slip ring collectors are sets of rings coupled with brushes designed to allow current to pass from a fixed to a rotating part. The 50A series is used to supply crane motors, cable winders etc..

These units are suitable only for transmitting currents with 50/60 Hz supply frequency.

The 50A slip ring collectors have 50A line rings and they are

supplied either with or without protection.

The shock-resistant thermoplastic protection is used to prevent accidental contacts with live parts; the protection has small downward holes to allow air circulation and prevent moisture.

The lower support plate is also provided with three holes to drain the moisture which may form inside the unit.

GENERAL TECHNICAL SPECIFICATIONS

- Conformity to Community Directives: 2006/95/CE 2006/42/CE
- Conformity to Standards: EN 60204-1 EN 60309-1 EN 60529
- Storage ambient temperature: $-40^{\circ}\text{C}/+70^{\circ}\text{C}$
- Operational ambient temperature: $-25^{\circ}\text{C}/+70^{\circ}\text{C}$
- Protection degree:
 - IP 22 (collector with protection)
 - IP 00 (collector without protection)
- Insulation category: Class I
- Cable entry: cable clamps
- Operating positions: any position
- Markings and homologations: CE

TECHNICAL SPECIFICATIONS OF THE MICROSWITCHES

- Utilisation category: 50 A
- Rated operational current: 400 V
- Rated operational voltage: 660 V
- Mechanical life: max 3 rev./min
- Connections: screw-type terminals
- Markings and homologations: CE

STANDARD CODES AND DIMENSIONS

Collectors with protection

N° rings 50A	Code	Dimensions (mm)		
		A	B	C
3	PF2203P001	174	249	106
4	PF2204P001	195	270	127
5	PF2205P001	216	291	148
6	PF2206P001	237	312	169
7	PF2207P001	258	333	190
8	PF2208P001	279	354	211
9	PF2209P003	300	375	232
10	PF2210P001	321	396	253
11	PF2211P002	342	417	274
12	PF2212P001	363	438	295
13	PF2213P001	384	459	316
14	PF2214P001	405	480	337
15	PF2215P001	426	501	358
16	PF2216P001	447	522	379

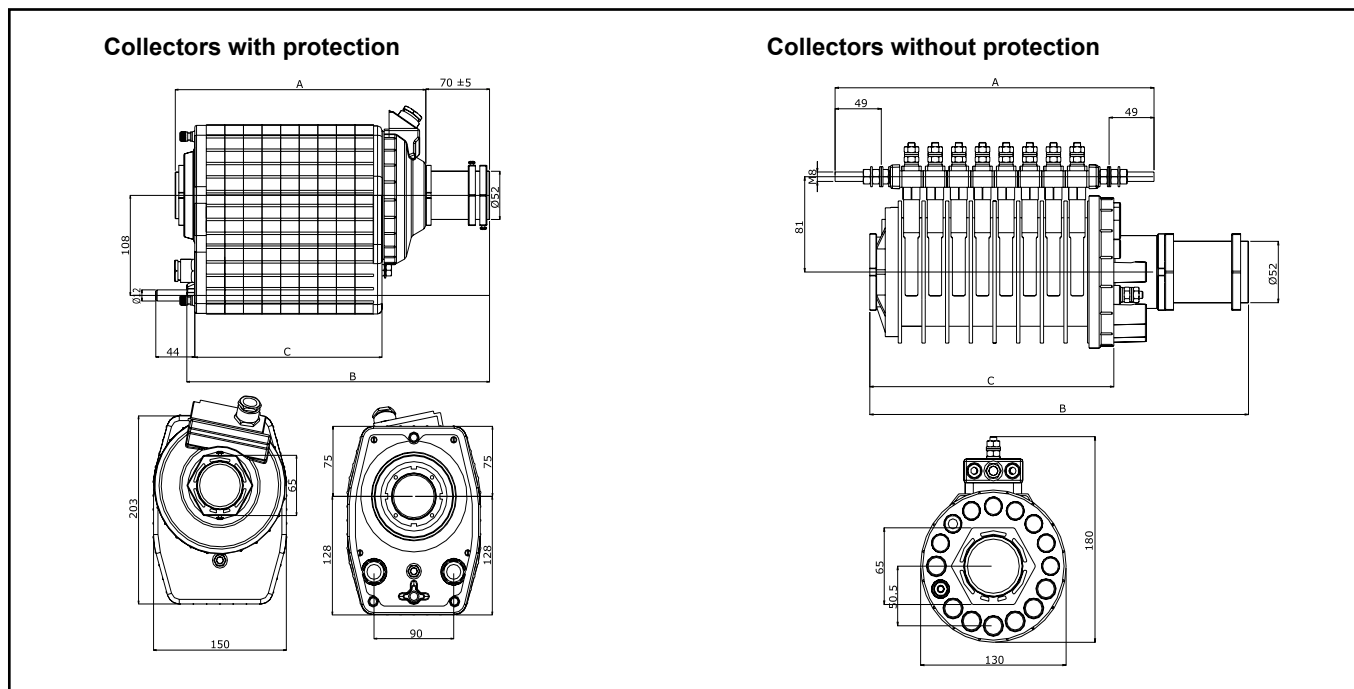
Max No. of rings: 16

Collectors without protection

N° rings 50A	Code	Dimensions (mm)		
		A	B	C
3	PF2203N001	200	220	106
4	PF2204N001	221	235	127
5	PF2205N001	242	235	148
6	PF2206N001	263	375	169
7	PF2207N001	284	290	190
8	PF2208N001	305	340	211
9	PF2209N001	326	340	232
10	PF2210N001	347	355	253
11	PF2211N001	368	385	274
12	PF2212N002	389	405	295
13	PF2213N001	410	420	316
14	PF2214N002	431	450	337
15	PF2215N001	452	565	358
16	PF2216N002	473	485	379

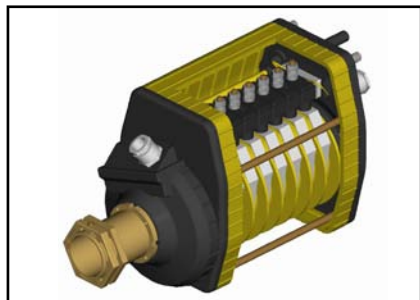
Max No. of rings: 16

OVERALL DIMENSIONS

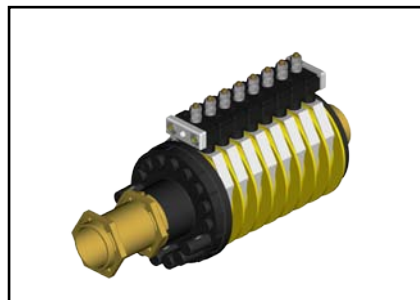


POSSIBLE ASSEMBLIES

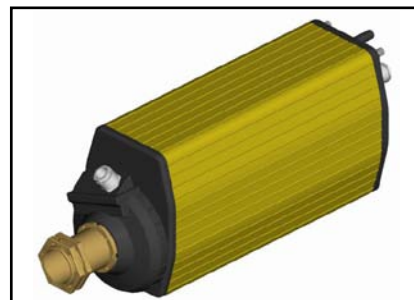
Standard (sectional view)



Without protection



Standard 16 rings



PRCA0ESG00



TER Tecno Elettrica Ravasi srl

Via Garibaldi 29/31 - 23885 Calco (LC) - Italy

Registered Office - via San Vigilio 2 - 23887 Olgiate Molgora (LC) - Italy

Tel. +39 0399911011 - Fax +39 0399910445 - E-mail: info@terworld.com

www.terworld.com

The data and the products illustrated in this brochure may be modified without notice. Under no circumstances can their description have a contractual value.