

10A/30A

SLIP RING COLLECTOR

PRODUCT DESCRIPTION

The slip ring collectors are sets of rings coupled with brushes designed to allow current to pass from a fixed to a rotating part. The 10A/30A series is used to supply crane motors, cable winders etc..

These units are suitable only for transmitting currents with 50/60Hz supply frequency.

The 10A/30A slip ring collectors may have only 30A line rings or they may have both 30A line rings and 10A auxiliary rings. They have a shock-resistant thermoplastic protection to prevent accidental contacts with live parts; the protection has small downward holes to allow air circulation and prevent moisture. The lower support plate is also provided with three holes to drain the moisture which may form inside the unit.

GENERAL TECHNICAL SPECIFICATIONS

- Conformity to Community Directives: 2006/95/CE 2006/42/CE
- Conformity to Standards: EN 60204-1 EN 60309-1 EN 60529
- Storage ambient temperature: $-40^{\circ}\text{C}/+70^{\circ}\text{C}$
- Operational ambient temperature: $-25^{\circ}\text{C}/+70^{\circ}\text{C}$
- Protection degree: IP 22
- Insulation category: Class I
- Cable entry: cable clamps M25
- Operating positions: any position
- Markings and homologations: CE

TECHNICAL SPECIFICATIONS OF THE MICROSWITCHES

- Utilisation category: 10 A - 30 A
- Rated operational current: 400 V
- Rated operational voltage: 660 V
- Mechanical life: max 3 rev./min
- Connections: screw-type terminals
- Markings and homologations: CE

STANDARD CODES AND DIMENSIONS

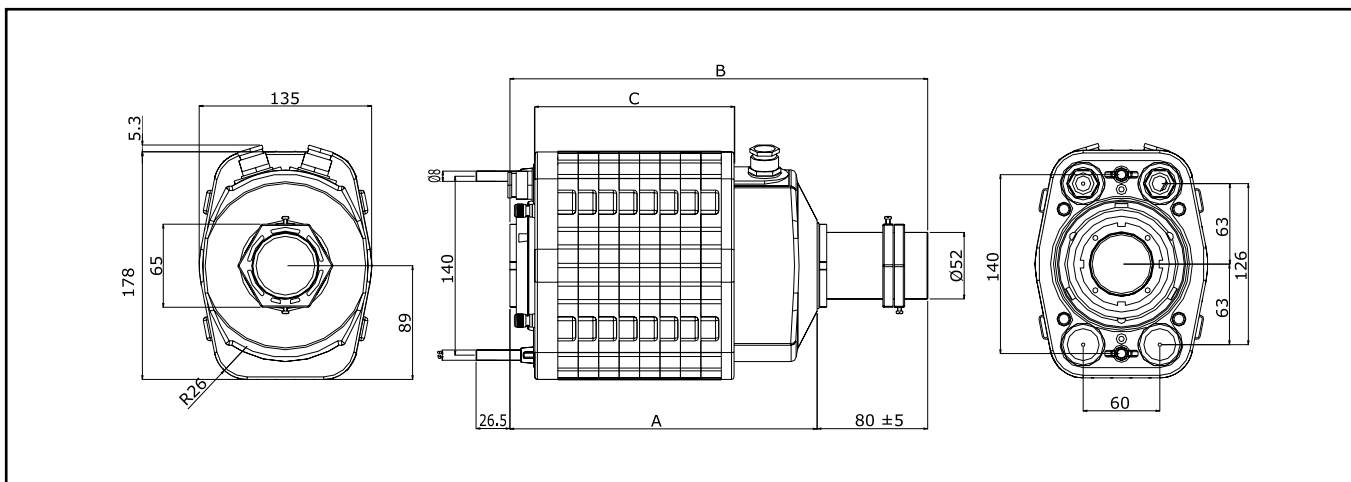
N° rings		Code	Dimensions (mm)		
10A	30A		A	B	C
1	4	PF2305B001	195	265	108
2	4	PF2306B003	211	281	124
3	4	PF2307B002	211	281	124
4	4	PF2308B001	227	297	140
5	4	PF2309B001	227	297	140
6	4	PF2310B001	243	313	156
7	4	PF2311B001	243	313	156
8	4	PF2312B001	259	329	172
9	4	PF2313B002	259	329	172
10	4	PF2314B001	275	345	188
11	4	PF2315B002	275	345	188
12	4	PF2316B001	291	261	204

Max No. of rings: 40

N° rings		Code	Dimensions (mm)		
30A			A	B	C
3		PF2303B001	179	249	92
4		PF2304B001	195	265	108
5		PF2305B002	211	281	124
6		PF2306B002	227	297	140
7		PF2307B001	243	313	156
8		PF2308B003	259	329	172
9		PF2309B002	275	345	188
10		PF2310B003	291	361	204
11		PF2311B002	307	377	220
12		PF2312B002	323	393	236
13		PF2313B003	339	409	252
14		PF2314B003	355	425	268
15		PF2315B005	371	441	284
16		PF2316B004	387	457	300

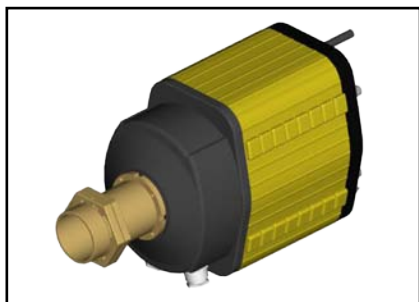
Max No. of rings: 20

OVERALL DIMENSIONS

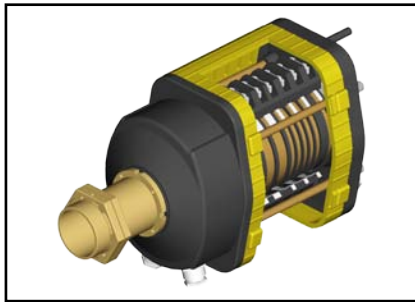


POSSIBLE ASSEMBLIES

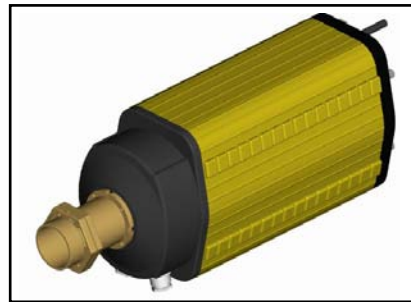
Standard



Standard (sectional view)



Standard 16 rings



The data and the products illustrated in this brochure may be modified without notice. Under no circumstances can their description have a contractual value.

PRCA0ESE00



TER Tecno Elettrica Ravasi srl

Via Garibaldi 29/31 - 23885 Calco (LC) - Italy

Registered Office - via San Vigilio 2 - 23887 Olgiate Molgora (LC) - Italy

Tel. +39 0399911011 - Fax +39 0399910445 - E-mail: info@terworld.com

www.terworld.com